



### Series PN - Feature

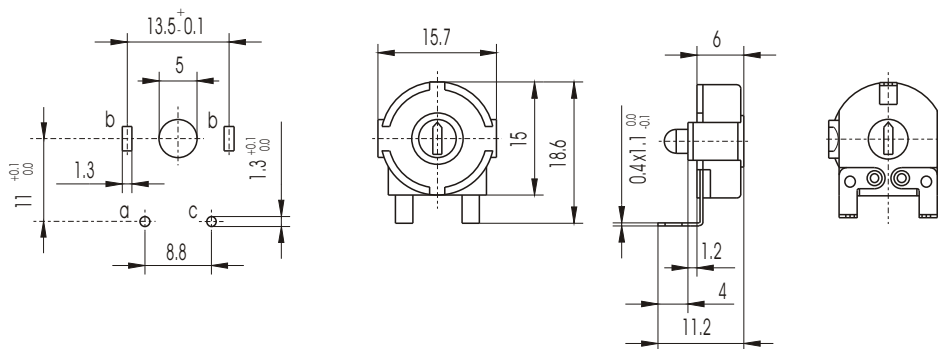
- Closed version
- Both side setting, insulated slider
- Linear or logarithmic resistance law
- Resistance tolerance:
  - ±20% for value  $R \leq 1M\Omega$
  - ±30% for value  $R > 1M\Omega$
- On special request closer tolerances are available

## Printed Circuits Types / Ser. PN / 15mm

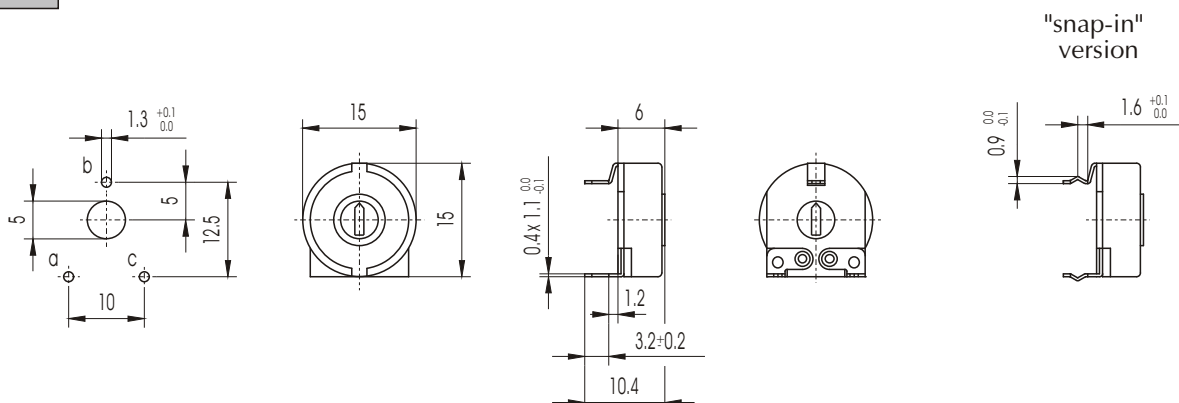
### Technical data

Rated dissipation at $\vartheta_{amb} = 40^\circ C$	lin 0.25W / log 0.12W
Resistance value range	lin 100 $\Omega$ to 5M $\Omega$ / log 2.2K $\Omega$ to 2.5M $\Omega$
Maximum voltage	lin 300V dc / log 200V dc
Electric angle of rotation	240° ± 20°
Mechanical angle of rotation	280° ± 5°
Operating torque	4 to 25 mNm
End stop torque	≥ 100 mNm
Weight	1.5 g approx.

### PN16Z



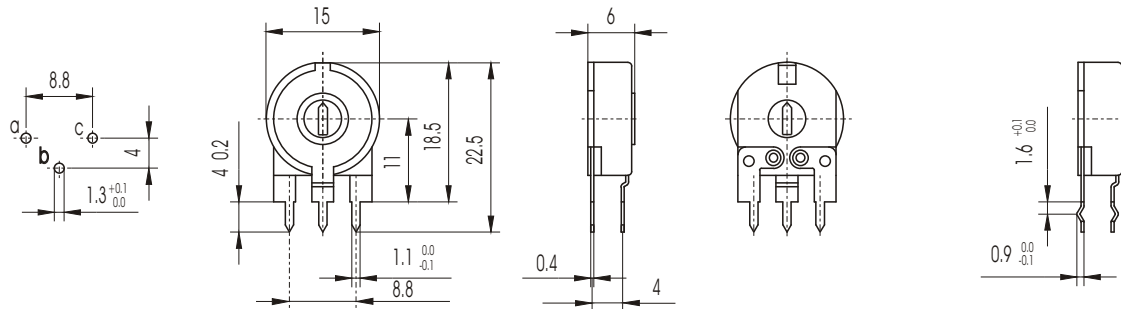
### PN18DZ





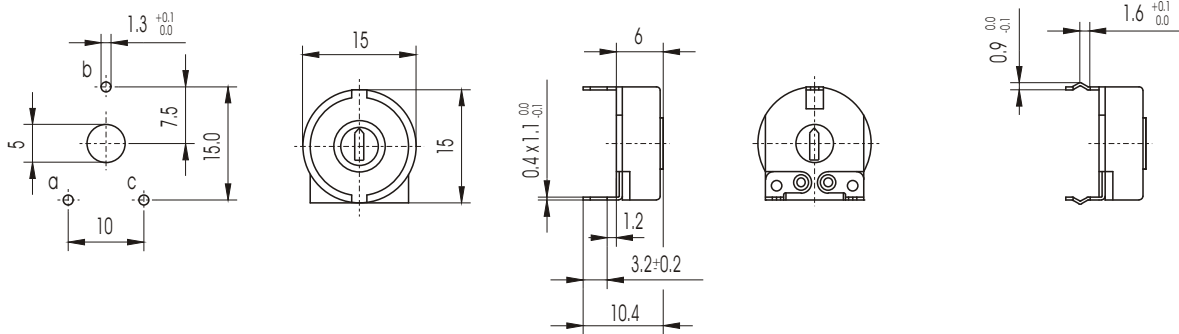
PN17Z

"snap-in" version



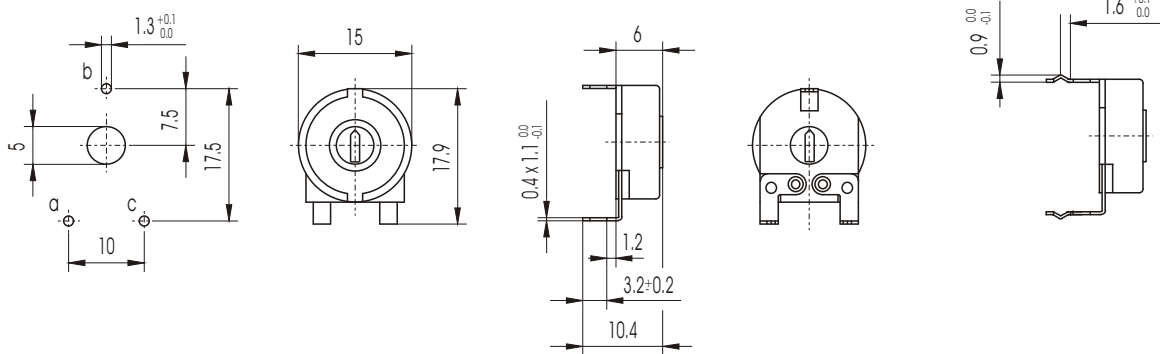
PN18EDZ

"snap-in" version



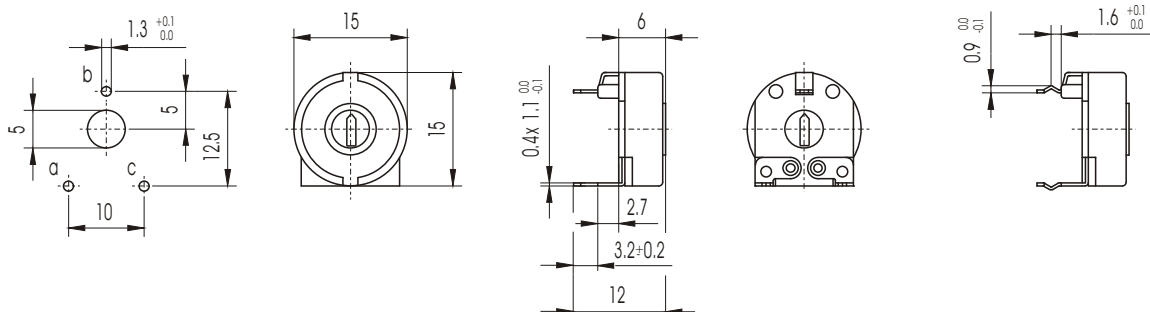
PN18EZ

"snap-in" version



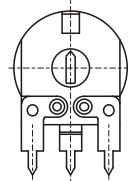
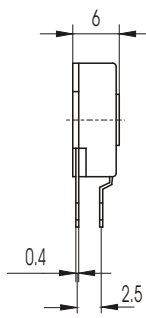
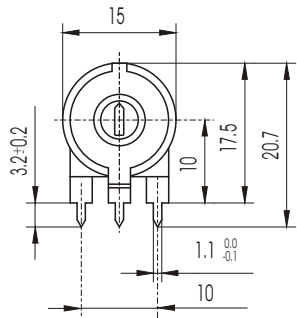
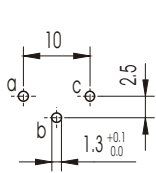
PN18DZLD

"snap-in" version

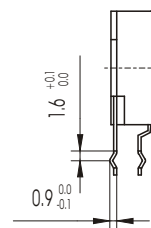




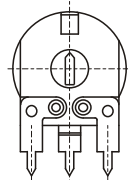
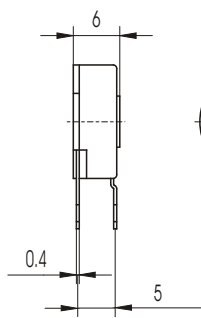
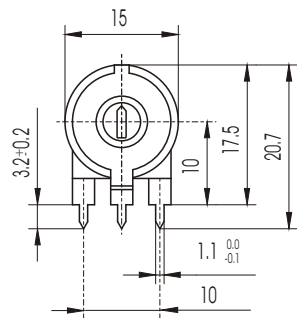
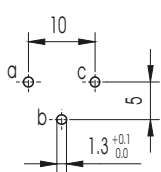
## PN19Z



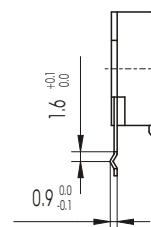
"snap-in" version



## PN19EZ

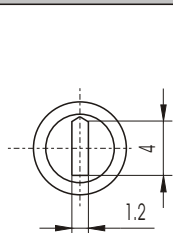


"snap-in" version

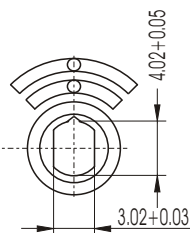


## Accessories / Ser. PN / 15 mm

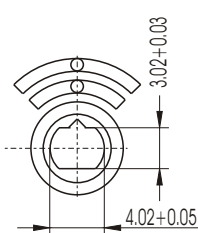
### ADJUSTMENT SLOT



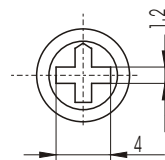
PN...



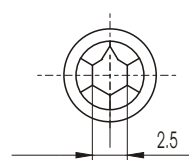
PN...A



PN...AU

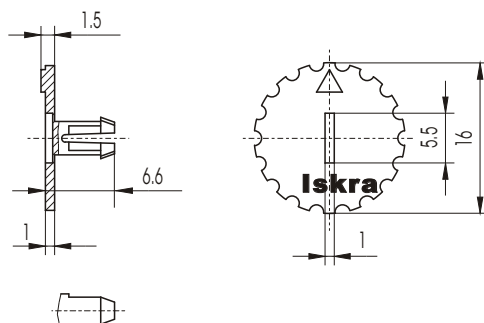


PN...B



PN...C

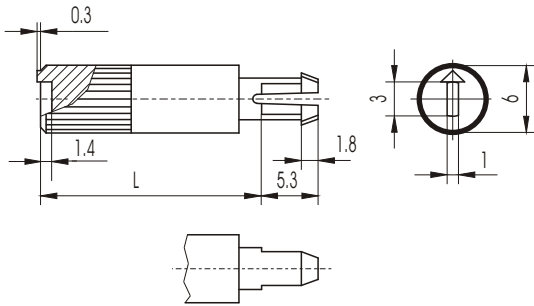
### THUMBWHEEL



Thumbwheel Colour	Code
White	88 131 147
Black	88 131 388
Red	88 131 391
Blue	88 131 390
Green	88 131 392
Yellow	88 131 389



## SHAFT



## SHAFT COLLOR CODES

Colour \ L	13.1	17.5	19.5	24.3	26.3	28.5	34
White	88 131 137	88 131 577	88 131 242	88 131 600	88 131 499	88 131 578	88 131 450
Black	88 131 378	88 131 241	88 131 382	88 131 243	88 131 244	88 131 245	88 131 246
Red	88 131 379	88 131 452	88 131 385	88 131 492	88 131 475	88 131 770	88 131 491
Blue	88 131 381	88 131 752	88 131 386	88 131 581			
Green	88 131 380		88 131 384				
Yellow	88 131 620		88 131 619				

## Ordering Example / Ser. PN / 15 mm

**PN16**

POT  
SERIE

**Z**

CLOSED  
VERSION

**A**

ADJUSTMENT  
SLOT

**G**

VERSION

R= SHAFT  
RO=SHAFT ON COLLECTOR SIDE  
G=THUMBWHELL

**X**

'snap in' VERSION

**F**

VERSION

F= 10000 DOUBLE  
ROTATIONS

**100K**

VALUE

**2**

LAW OF  
VARIATION

LIN

2 = LOG.  
3 = ANTILOG.  
4 = SPECIAL

**PN17**

POT  
SERIE

PN17  
PN19  
PN19E

**Z**

CLOSED  
VERSION

**A**

ADJUSTMENT  
SLOT

**G**

VERSION

R= SHAFT  
RO=SHAFT ON COLLECTOR SIDE  
G=THUMBWHELL  
GO=THUMBWHELL ON COLLECTOR SIDE

**X**

'snap in' VERSION

**F**

VERSION

F= 10000 DOUBLE  
ROTATIONS

**100K**

VALUE

**2**

LAW OF  
VARIATION

LIN

2 = LOG.  
3 = ANTILOG.  
4 = SPECIAL

**PN18D**

POT  
SERIE

PN18D  
PN18E  
PN18ED

**Z**

CLOSED  
VERSION

**A**

ADJUSTMENT  
SLOT

**L**

LONGER  
TERMINAL

**X**

'snap in' VERSION

**G**

VERSION

R= SHAFT  
RO=SHAFT ON COLLECTOR SIDE  
G=THUMBWHELL

**D**

DISTANCE  
ELEMENT  
ON THE HOUSING

**F**

VERSION

F= 10000 DOUBLE  
ROTATIONS

**W**

VALUE

VERSION

W= WATER PROOF

**100K**

**2**

LAW OF  
VARIATION

LIN

2 = LOGARIT.  
3 = ANTILOG.  
4 = SPECIAL