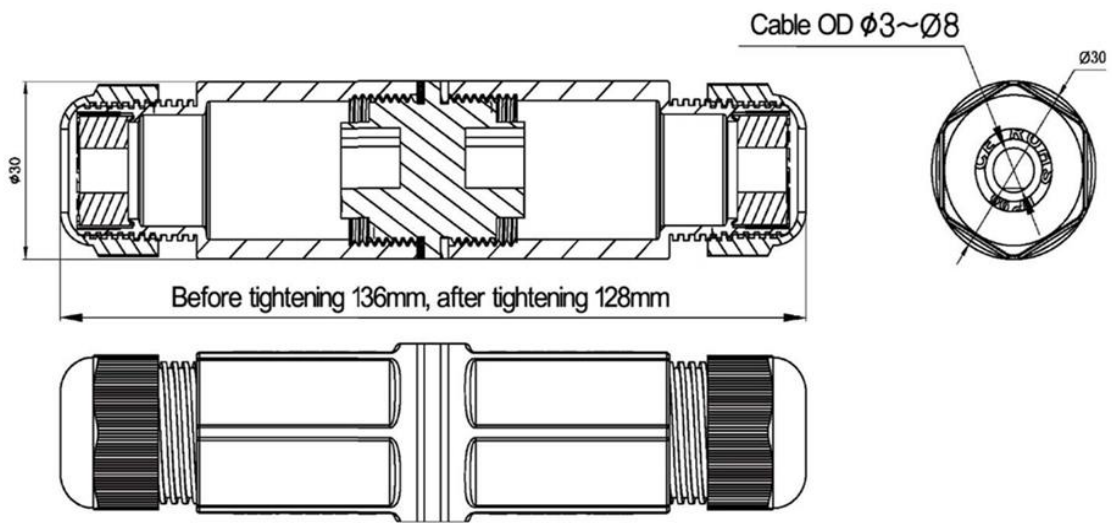


	REVISED	DR	APP



This RJ45 connector is qualified for outdoor use.  
 With IP67, it is protected for temporary submersion and dust.

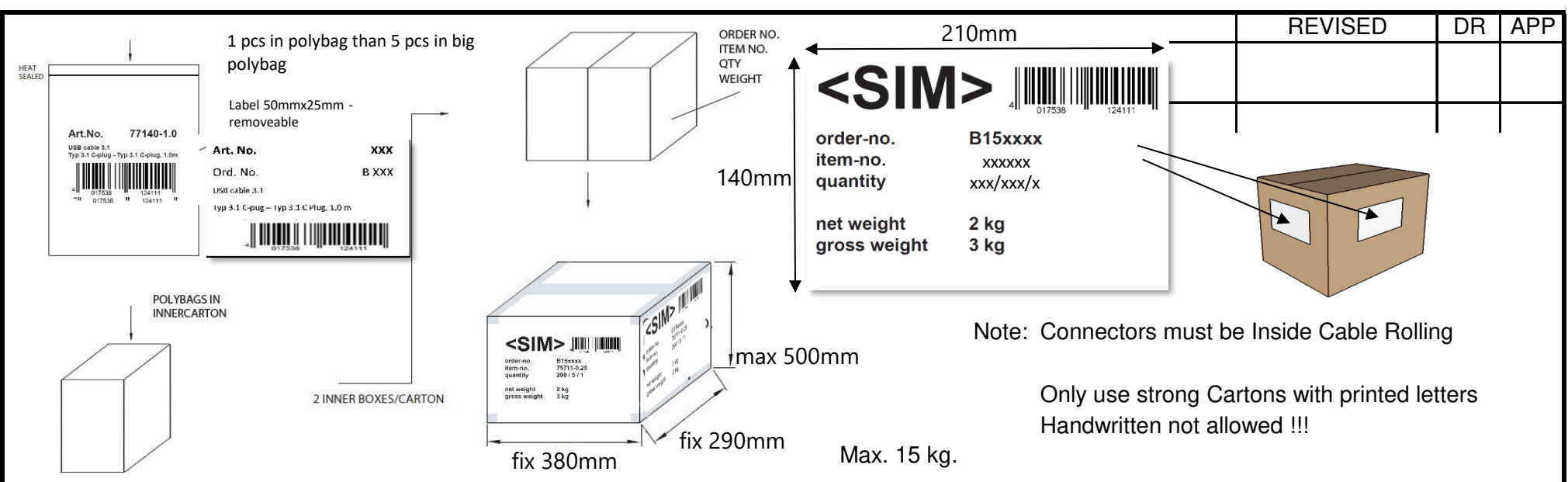
- Connections: RJ45 jack to RJ45 jack
- Assigned pins: 8 (1:1)
- Gold plated contacts
- For cable diameters: 3mm to 8mm
- Category: 6
- Shielding: STP
- Compatible with 10Base-T, 100Base-TX, 1000Base-T
- Housing material: Nylon PA66
- IP67 tested
- Temperature range: -40° C to 105° C
- Color: black




1	CONNECTORS	RJ 45 COUPLER CAT 6 IP 67, OUTDOOR
2	MOLDING	
3	CABLE	
NO	PART NAME	

**impuls** S-Impuls Handels GmbH für audiovisuelle Produkte  
 Am Mühlberg 8 | 91477 Markt Bibart  
 fon +49 9162 | 98 96 -0  
 fax +49 9162 | 98 96 -21  
 mail info@s-impuls.de  
 http://www.s-impuls.de

DESCRIPTION		RJ 45 COUPLER CAT 6 IP 67, OUTDOOR					
SIZE	A4	DATE	31.01.2020	CHECKED		TOL	08-01042
UNIT	MM	DRAWN	R.Hueller	APPROVED			
CUSTOM TARIF NO.: 85366990990							



ART.NO.	LENGTH	ROLLING SIZE	NET.WEIGHT (g)	PACKING	EAN CODE
08-01042	x	136x30x30mm	53g	250 EXP / 125 INNER - 5/1 in pb with sticker	4017538101990

 <p>S-impuls Handels GmbH für audiovisuelle Produkte</p> <p>Am Mühlberg 8   91477 Markt Bibart fon +49 9162   98 96 - 0 fax +49 9162   98 96 - 31 mail info@s-impuls.de http://www.s-impuls.de</p>	DESCRIPTION	RJ 45 COUPLER CAT 6 IP 67, OUTDOOR					
	SIZE	A4	DATE	31.01.2020	CHECKED	TOL	08-01042
	UNIT	MM	DRAWN	R.Hueller	APPROVED		
CUSTOM TARIF NO.: 85366990990							