

# TG12864B-03

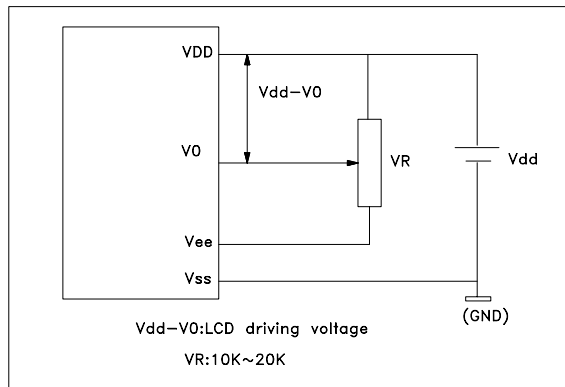
## Series

Display Format	128 X 64 DOTS
Drive Method	1/64 Duty ; 1/9 Bias
LCD Type	STN Blue
LED Backlight	White
Viewing direction	6:00
Operating Temperature	-20°C~+70°C

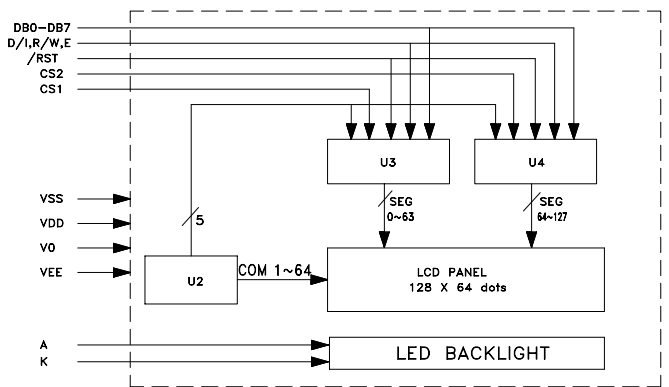
## Electrical Characteristics

ITEM	Symbol	Condition	Standard value			UNIT
			Min.	Typ.	Max.	
Supply Voltage For Logic	$V_{DD}-V_{SS}$	--	4.5	5.0	5.5	V
Supply Voltage For LCD	$V_{DD}-V_0$	--	--	9.0	--	V
Input High Voltage	$V_{IH}$	--	0.7 $V_{DD}$	--	$V_{DD}$	V
Input Low Voltage	$V_{IL}$	--	0	--	0.3 $V_{DD}$	V
Supply Current for Logic	$I_{DD}$	--	--	6.0	--	mA
Supply Current for LCD	$I_{EE}$	--	--	3.0	--	mA
With B/L	$I_{LED}$	$V_{LED}=5.0V$	--	120	180	mA

## Power supply



## Block Diagram



## EXTERNAL DIMENSIONS AND DISPLAY PATTERN

