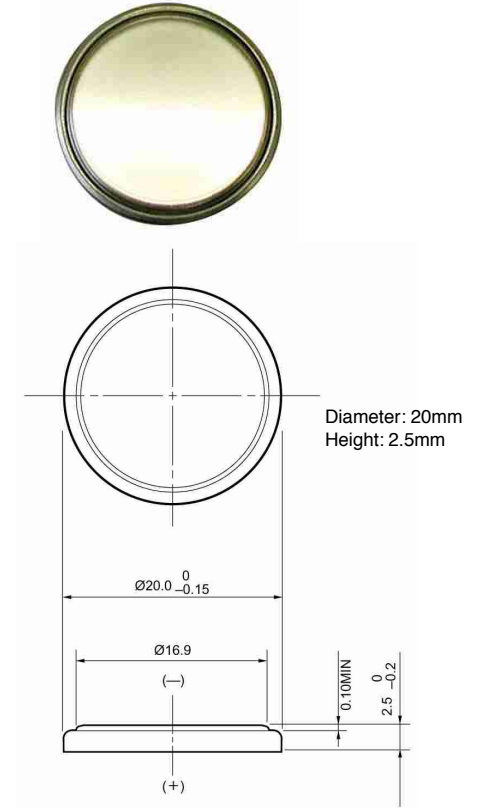


**Description** : Flat Lithium Battery  
**Chemical system** : Lithium Manganese Dioxide  
**Nominal voltage** : 3 Volts  
**Nominal capacity** : 160mAh  
**Dimensions** :  $\varnothing 20.0 \times 2.5$ mm  
**Shelf life** : 5 years at room temperature  
**Average weight** : 2.4 grams  
**Application** : Computer memory back up, Photo

Model No.: **CR2025**

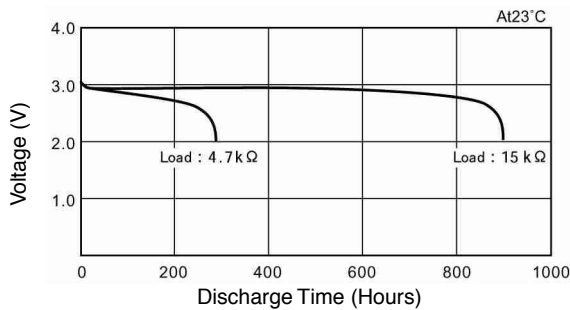
### Cross References:

IEC	JIS	Eveready	Varta	Duracell
CR2025	CR2025	ECR2025	CR2025	DL2025

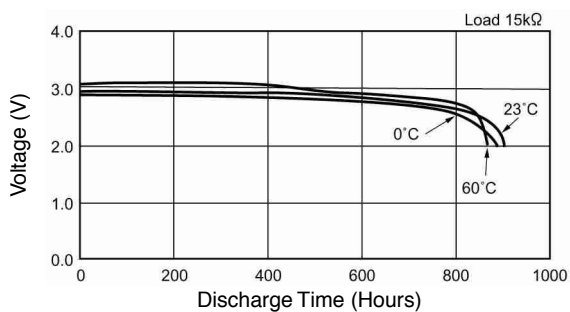


**Dimension Drawing**

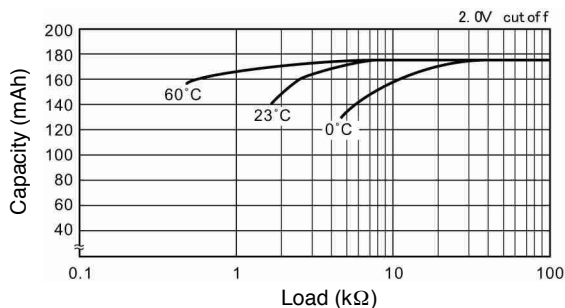
### Discharge Characteristics on Load



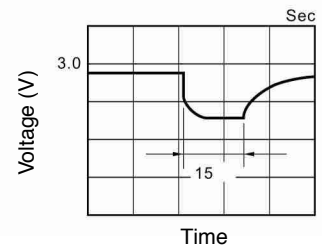
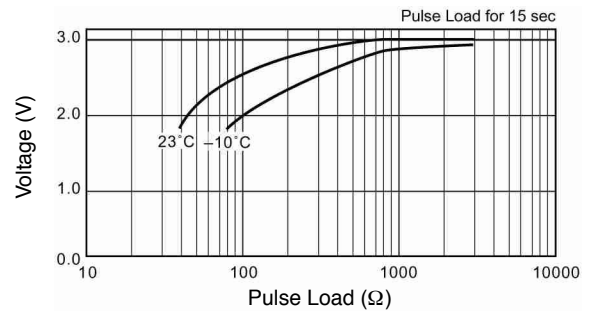
### Discharge Characteristics on Temperature



### Discharge Load vs. Discharge Capacity



### Discharge Characteristics on Pulse Load (Discharge depth 40%)



The information (subject to change without prior notice) contained in this document is for reference only and should not be used as a basis for product guarantee or warranty. For applications other than those described here, please consult your nearest GP Sales and Marketing Office or Distributors.