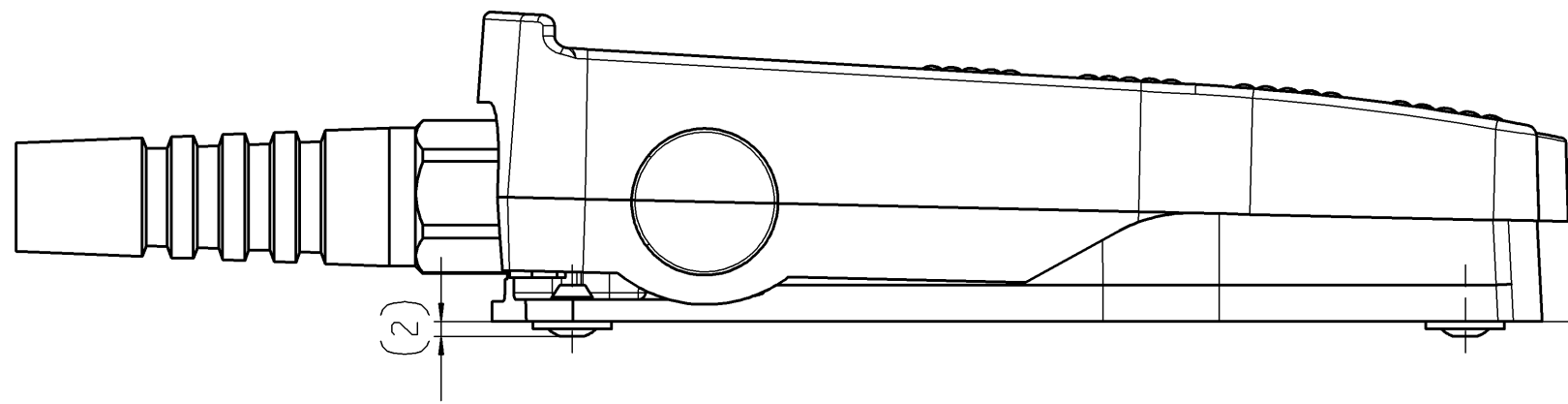


THIS DRAWING IS THE EXCLUSIVE PROPERTY OF MARQUARDT. WITHOUT THEIR CONSENT IT MAY NOT BE REPRODUCED OR GIVEN TO THIRD PARTIES.

CONFIDENTIAL

VERTRAULICH

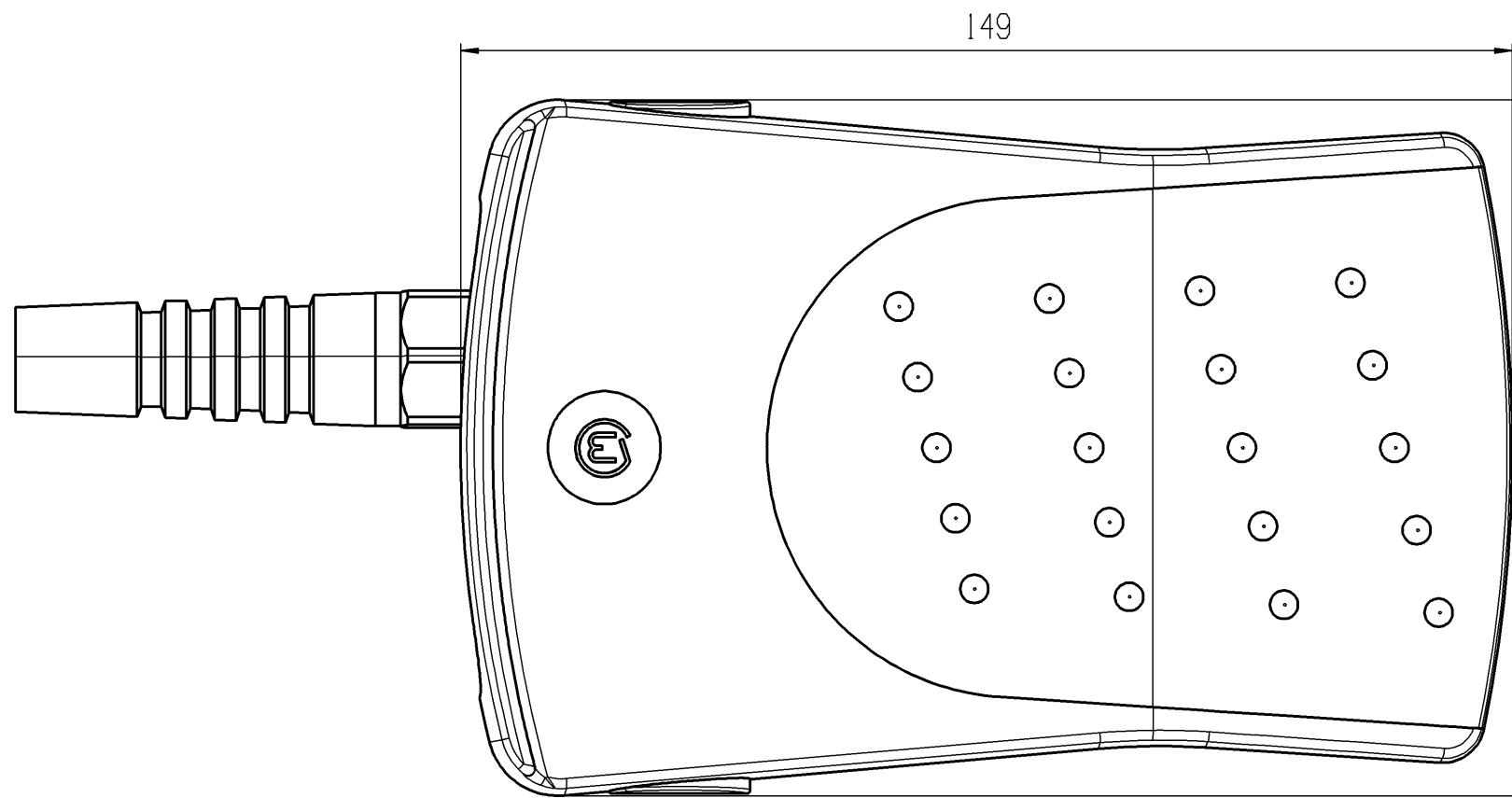
Alle Rechte bei Marquardt, auch fuer den Fall von Schutzrechtsanmeldungen. Jede Veruegungsbefugnis, wie Kopier- und Weitergaberecht, bei uns.



16.9 ± 2
18.6 ± 2
21.9 ± 2
25 ± 2

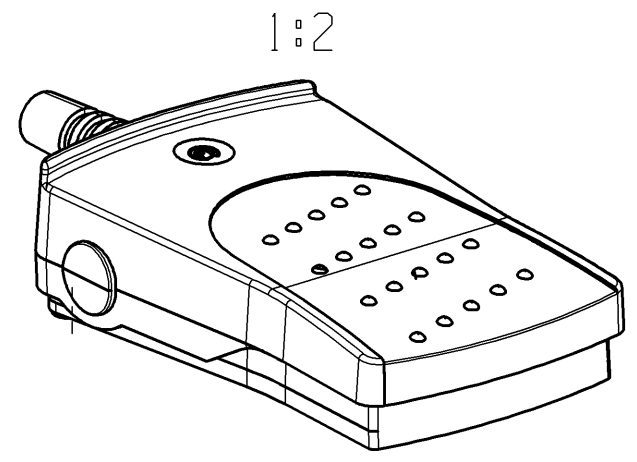
Ruhestellung
free position
Schaltpunkt 1
operating position 1
Schaltpunkt 2
operating position 2
Endstellung
total travel position

Aufschrift:
Marking:
© 2420.0501
14(4) / 250 ~ μ 50E3
10
Hersteldatum:
Herstellort/ -jahr/ -woche/ -tag
nach Marquardt Standard
Date code of manufacture:
plant / year / week / day
acc. to Marquardt standard

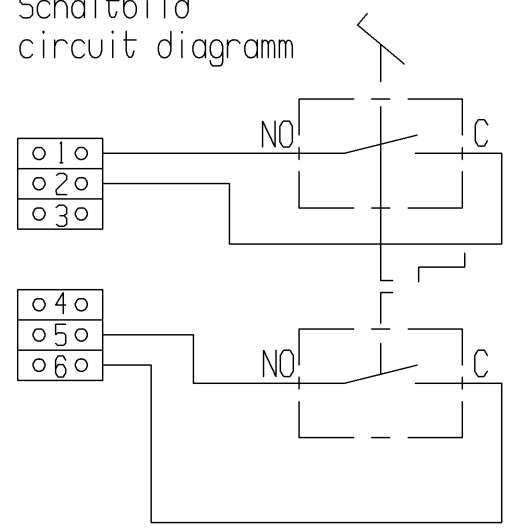


Kraft in Ruhestellung
force in free position 24 N ± 10 N
Kraft an Schaltpunkt 1
force at operating position 1 29 N ± 10 N
Kraft an Schaltpunkt 2
force at operating position 2 51 N ± 35 N
Kraft in Endstellung
force at total travel position 89 N ± 35 N

Beigelegte Bedienungsanleitung beachten
Please observe user manual for further information



Schaltbild
circuit diagram



-		-		-		2420.0501-XX		
Figure	Type			Customer No.		Art.No.-PI		
All dimensions are in millimetres	General tolerances			Sheet 01		Ident. K	Document number 24200501	
	Shape and location	Angle ± 2°	Edge tolerance	Length	Radii	Format DIN A3	Projection	
				Scale 1:1				
				0-6 ± 0.15 ± 0.2		System NX V11.0	foot switch	
				>6-15 ± 0.2 ± 0.3				
			>15-30 ± 0.25 ± 0.5		Replacement of V09111330		MARQUARDT	
			>30-70 ± 0.4 ± 10%					
			>70-120 ± 0.6 ± 10%					
			>120 ± 0.8 ± 10%					
d	123519	2019-06-12	TRIGUIK					
c	74959	2011-08-25	FRT					
b	73342	2011-04-19	HHE					
a	71861	2011-02-01	FRT					
Index	MEC-No.	Date (YYYY-MM-DD)	Edited by					