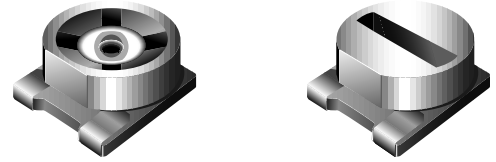


2mm Square SMT Trimmer Potentiometers (Cermet, Open Frame Type)

Type: EVM □X□



■ Features

- Extremely small-sized, lightweight 2mm open frame type for reflow soldering
- Automatic adjustment type with knob
- Excellent mounting efficiency

■ Recommended Applications

- Audio visual equipment, home electrical appliances

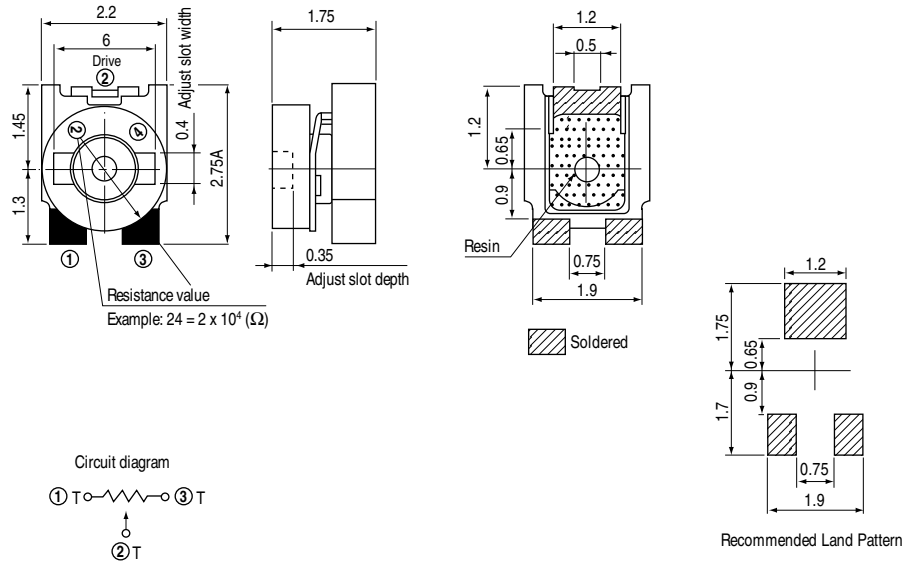
■ Major Specifications

Nominal total resistance	200Ω to 1 MΩ	Max. operating voltage	50V
Resistance tolerance	± 25%	Sliding noise	5% max. of nominal total resistance
Power rating	0.15W	Rotation torque	1 to 15 mN · m (10 to 150 gf · cm)

■ Dimensions in mm (not to scale)

EVM1X: 3-terminal

No. 1



EVM2X: 3-terminal, for automatic trimming adjustment

No. 2

