

Modular Einbaubuchsen Modular Jacks

MODULAR EINBAUBUCHSE PRINTMONTAGE 4P4C UNGESCHIRMT
MODULAR JACK PCB 4P4C UNSHIELDED



Revision: 01

SPECIFICATION

Current Rate: 1.5 AMP
 Insulation Resistance: 500 MΩ Min.
 Contact Resistance: 40 mΩ Max.
 Dielectric Voltage: 1000 V AC
 Operation Temperature: 0 °C to +80 °C

MATERIAL

Insulator: PBT UL94V-0
 Contacts: Phosphor bronze

FINISH

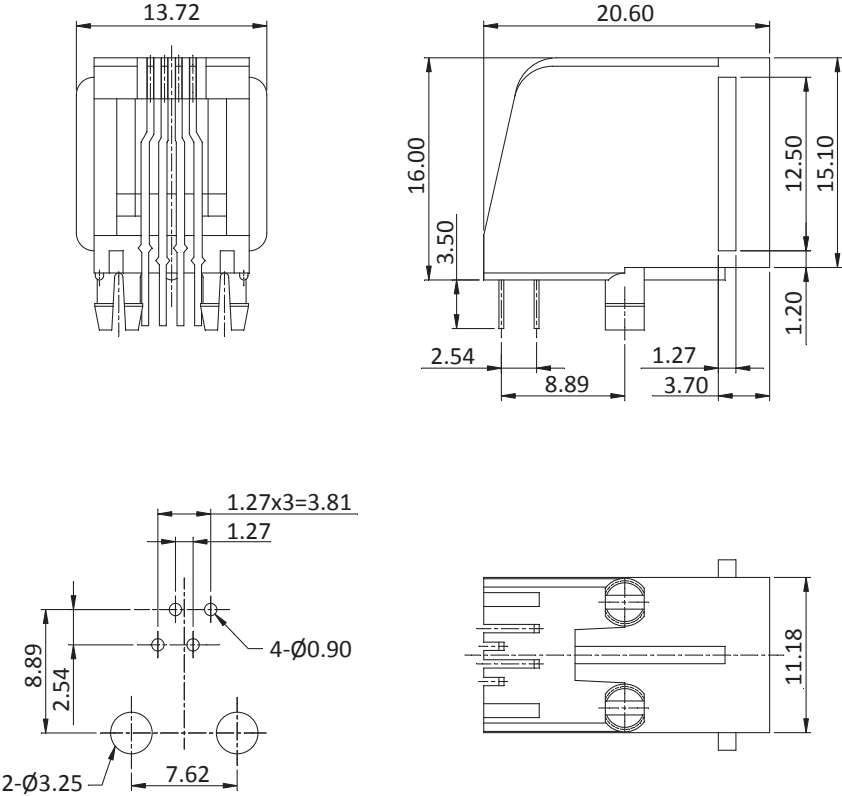
Contacts: Gold plated over nickel in contact area
 Tin plated over nickel in solder area

HANDLING

Processing: Wave soldering
 Packing: Tray

TOLERANCE

.XX ±0.25
 .X ±0.38



Order Information

Series
MEB4/4P

Modular Jack 4P4C Side Entry,
unshielded

Contact Plating
#

- |
- empty : 6µ" Gold *
- B : 15µ" Gold
- C : 30µ" Gold
- D : 50µ" Gold

* = Standard