



## MakerDisk M.2 2242 NVMe SSD



### Datasheet

Rev 1.0  
April 2024

Information in this publication regarding device applications and the like is intended through suggestion only and may be superseded by updates. It is your responsibility to ensure that your application meets your specifications. No representation or warranty is given and no liability is assumed by Cytron Technologies Incorporated with respect to the accuracy or use of such information or infringement of patents or other intellectual property rights arising from such use or otherwise. The use of Cytron Technologies's products as critical components in life support systems is not authorized except with express written approval by Cytron Technologies. No licenses are conveyed, implicitly or otherwise, under any intellectual property rights.

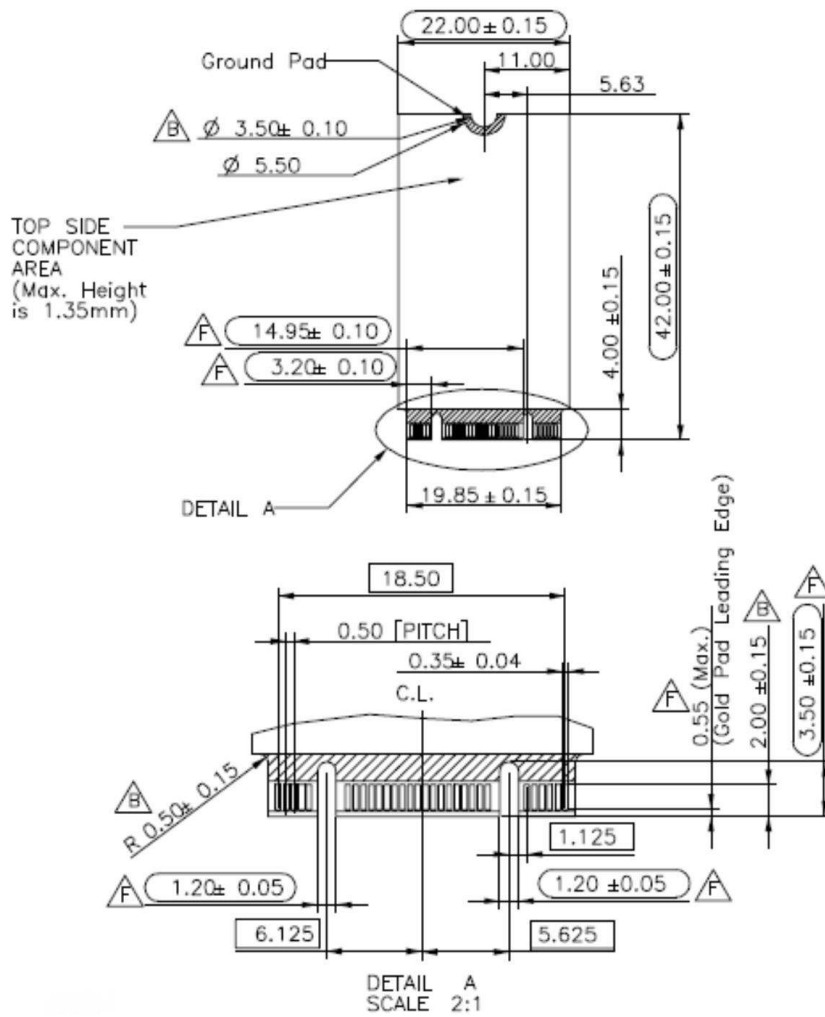
## 1. Specifications:

No.	Parameters	Specifications		
1	Model	MMR-NV2242-XXX (MakerDisk M.2 NVMe 2242 SSD)		
2	Interface	M.2 M-Key (B+M Key on 128GB SSD)		
3	Dimensions	M.2 2242, L42.00mm*W22.0mm*H2.7mm Error ±0.5mm		
4	Capacity	128GB	256GB	512GB
5	Protocol	PCIe Gen3 x 2 Lane, NVMe 1.3	PCIe Gen3 x 4 Lane, NVMe 1.3	PCIe Gen3 x 4 Lane, NVMe 1.3
6	NAND Flash	3D TLC	3D TLC	3D TLC
7	Sequential Read (MB/s)	1700	2250	2300
8	Sequential Write (MB/s)	600	1300	1850
10	4K Random Read (IOPS)	70K (Max)	85K (Max)	145K (Max)
11	4K Random Write (IOPS)	130K (Max)	280K (Max)	400K (Max)
12	Input Voltage	DC 3.3V ±5%		
13	Power Consumption (Idle)	0.60W (Max)		
14	Power Consumption (Active)	3.65W (Max)		
15	MTBF	1.5 million hours		
16	ECC	LDPC Error Correction of Hardware/Bad Block Management		
17	Features	Power management/TRIM/S.M.A.R.T./NCQ/Wear-leveling		
18	Operating Temperature	0°C - 70°C		
19	Storage Temperature	-40°C - 85°C		
20	Operating Humidity	5 - 90%		
21	Certificates	FCC, CE, RoHS, REACH		
22	Made in	Made in Taiwan		

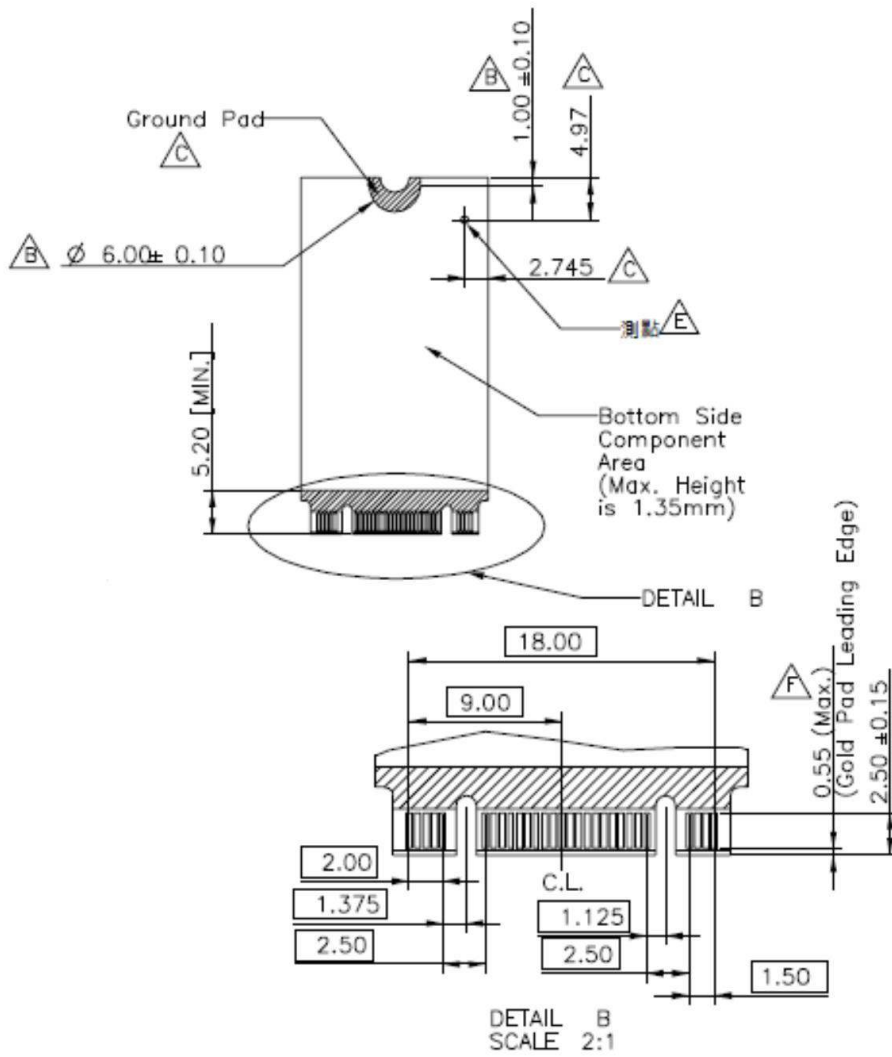
## 2. Mechanical Dimensions:

MakerDisk M.2 2242 NVMe SSD - M Key - 256GB & 512GB

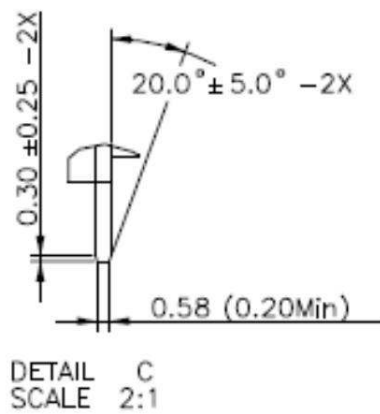
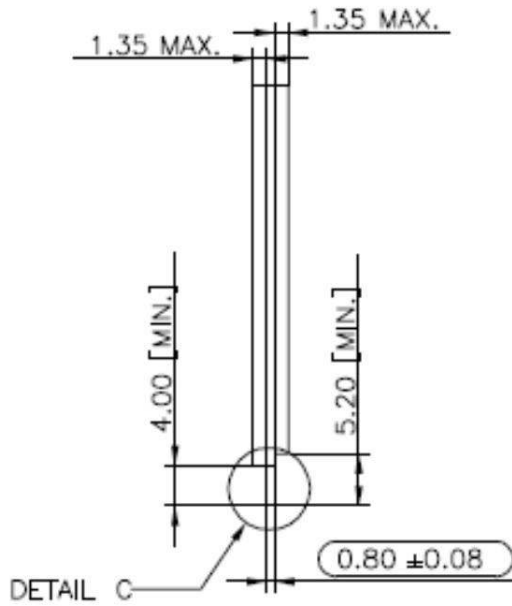
Top view:



Bottom view:



Side view:

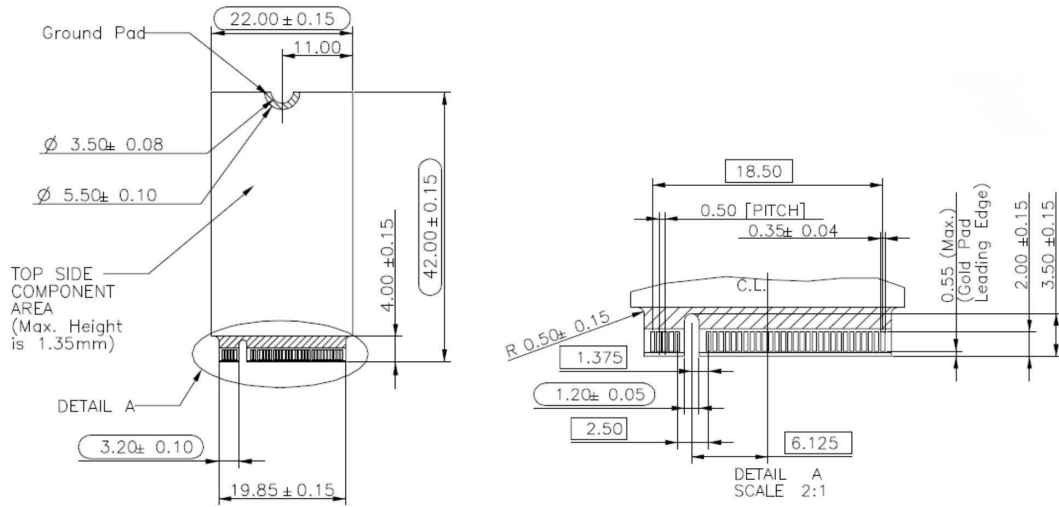


Notes :

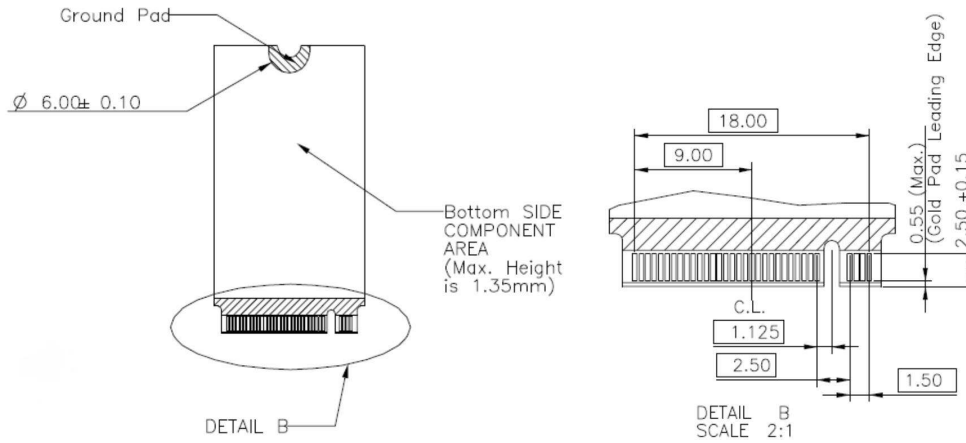
1.  = Max Component Height
2.  = No Component
3.  = No Component / Signal Vias / Signal Copper / Printing
4. General Tolerance  $\pm 0.15\text{mm}$
5.  are critical dimensions

MakerDisk M.2 2242 NVMe SSD - M Key - 256GB & 512GB

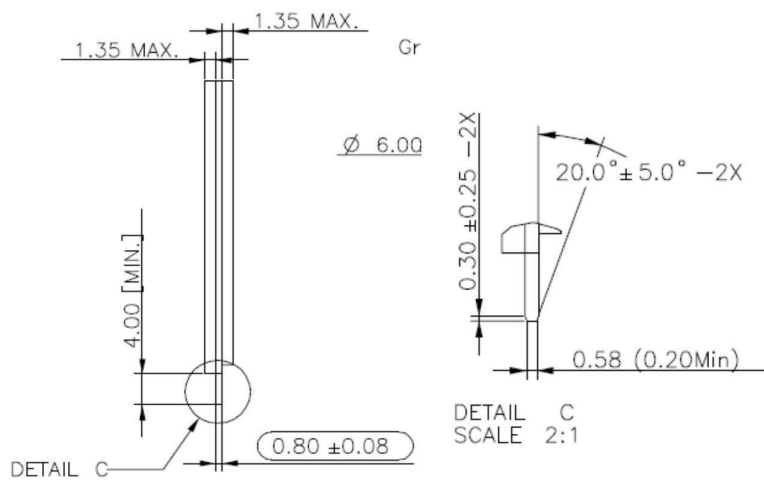
Top view:



Bottom view:



Side view:



Notes :

1. = Max Component Height
2. = No Component
3. = No Component / Signal Vias / Signal Copper / Printing
4. General Tolerance  $\pm 0.15\text{mm}$
5. are critical dimensions

*Prepared by:*

***Cytron Technologies Sdn Bhd***

[www.cytron.io](http://www.cytron.io)

No. 1, Lorong Industri Impian 1,  
Taman Industri Impian,  
14000 Bukit Mertajam,  
Penang, Malaysia.

*Tel:* +604 - 548 0668

*Fax:* +604 - 548 0669

*Email:*

[support@cytron.io](mailto:support@cytron.io)

[sales@cytron.io](mailto:sales@cytron.io)