

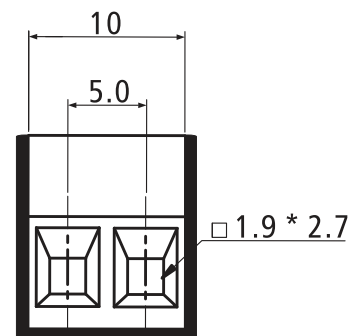
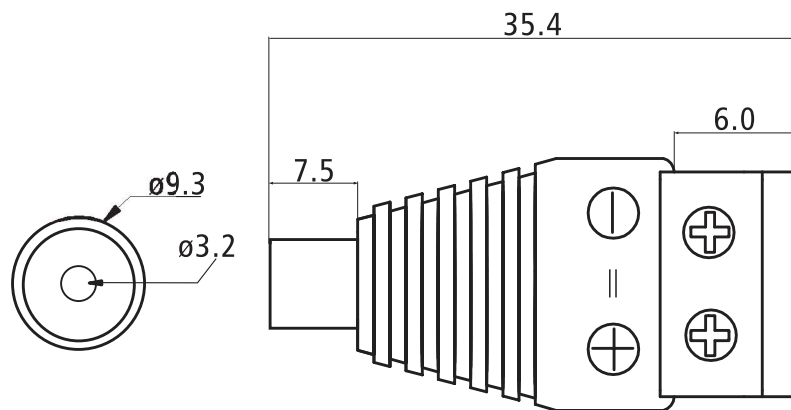
Best. Nr. 452 763

RCA Jack Terminal Adapter



Specification

Type: Standard RCA, Female jack
Dimension: 35.4 x 14 x 13 mm (max.)
Voltage rating: 12 V/ DC
Current rating: 0.5 A max.
Insulation resistance: 100M Ω min.
Contact resistance: 50m Ω max.
Withstand voltage: 100V/AC, for 1 min.
Operating temperature: -30 ~ 80°C
Operating humidity: >85%RH
Durability: >1000 cycles



Suitable wire range:
24 - 14 AWG
(0.5 - 1.6 mm)