



# San Ace 60

15mm thick, 20mm thick, 25mm thick  
 25mm thick (San Cooler)  
 35mm thick (G type)



## General Specifications

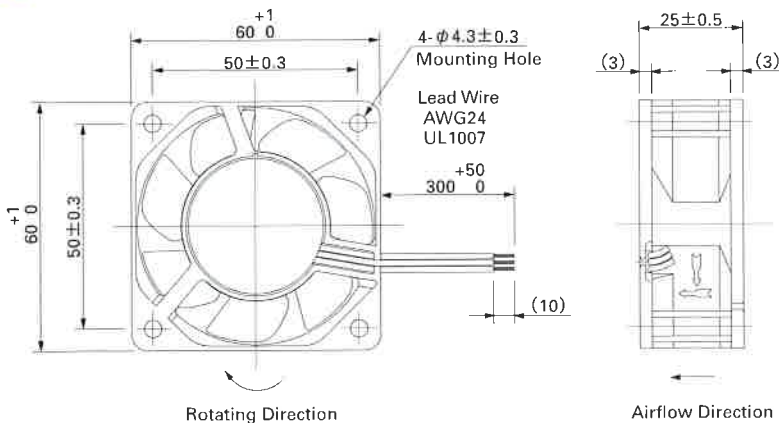
- Material: Frame: Plastics (Flammability: UL94V-0), Impeller: Plastics (Flammability: UL94V-1)
- Life Expectancy: Varies for each model (L10: Survival rate: 90% at 60°C, rated voltage, and continuously run in a free air state)
- Lead Wire: ⊕ red ⊖ black (Sensor) yellow
- Storage Temperature: -30°C to +70°C (Non-condensing)

60mm x 25mm thick (Mass : 90g)

## Specifications

Model No.	Rated Voltage (V)	Operating Voltage Range (V)	Rated Current (A)	Rated Input (W)	Rated Speed (min <sup>-1</sup> )	Air Flow (m <sup>3</sup> /min) (CFM)	Static Pressure (Pa) (inchH <sub>2</sub> O)	SPL (dB(A))	Operating Temperature Range (°C)	Life Expectancy (h)	
109R0605H401(4011)	5	4.5 to 5.5	0.34	1.70	3,800	0.53 18.7	40.2 0.161	28	-10 to +70	60,000	
109R0605F401(4011)			0.20	1.00	3,200	0.44 15.5	29.4 0.118	24	-10 to +60		
109R0605M401(4011)			0.13	0.65	2,600	0.36 12.7	19.6 0.079	20	-10 to +70		
109R0612J401(4011)	12	10.8 to 13.2	0.47	5.64	7,600	1.05 37.1	155.0 0.622	44	-10 to +60	40,000	
109R0612G401(4011)			0.24	2.88	5,600	0.78 27.5	88.0 0.353	39	-10 to +70		
109R0612D401(4011)		10.2 to 13.8	0.21	2.52	5,150	0.72 25.4	73.5 0.295	37			
109R0612S401(4011)			0.17	2.04	4,600	0.65 23.0	56.8 0.228	33			
109R0612H401(4011)			6 to 13.8	0.11	1.32	3,800	0.53 18.7	40.1 0.161		28	
109R0612F401(4011)		0.09		1.08	3,200	0.44 15.5	29.4 0.118	24			
109R0612M401(4011)		7 to 13.8	0.06	0.72	2,600	0.36 12.7	19.6 0.079	20			
109R0624J401(4011)		24	21.6 to 26.4	0.24	5.76	7,600	1.05 37.1	155.0 0.622		44	-10 to +60
109R0624G401(4011)			20.4 to 27.6	0.13	3.12	5,600	0.78 27.5	88.0 0.353	39		
109R0624D401(4011)	0.12			2.88	5,150	0.72 25.4	73.5 0.295	37			
109R0624S401(4011)	0.08			1.92	4,600	0.65 23.0	56.8 0.228	33			
109R0624H401(4011)	12 to 27.6		0.06	1.44	3,800	0.53 18.7	40.2 0.161	28	-10 to +70	60,000	
109R0624F401(4011)			0.05	1.20	3,200	0.44 15.5	29.4 0.118	24			
109R0624M401(4011)	14 to 27.6		0.04	0.96	2,600	0.36 12.7	19.6 0.079	20			
109R0648J401(4011)	48	43.2 to 52.8	0.12	5.76	7,600	1.05 37.1	155.0 0.622	44	-10 to +60	40,000	
109R0648G401(4011)		43 to 53	0.07	3.36	5,600	0.78 27.5	88.0 0.353	39			
109R0648H401(4011)		40 to 53	0.04	1.92	3,800	0.53 18.7	40.2 0.161	28	-10 to +70		60,000

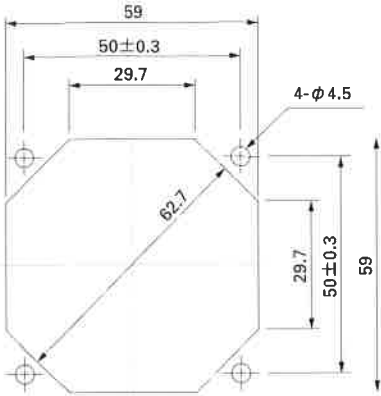
## Dimensions (Unit : mm)



Deutschland	Telemeter Electronic GmbH	Tel. +49 9 06 7 06 93-0	Fax +49 9 06 7 06 93-50	info@telemeter.de	www.telemeter.info
Schweiz	Telemeter Electronic GmbH	Tel. +41 71 6 99 20 20	Fax +41 71 6 99 20 24	info@telemeter.ch	www.telemeter.info
Tschechische Republik	Telemeter Electronic s.r.o.	Tel. +420 3 85 31 06 37	Fax +420 3 85 51 01 24	info@telemeter.cz	www.telemeter.info

■ Reference dimension of mounting holes and vent opening (Unit : mm)

Inlet side, Outlet side

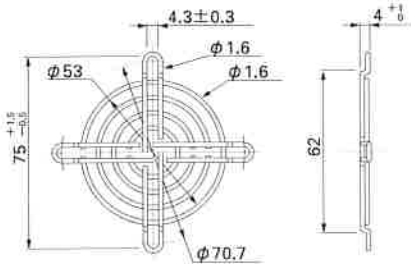


■ Options (Unit : mm)

**Finger guards**

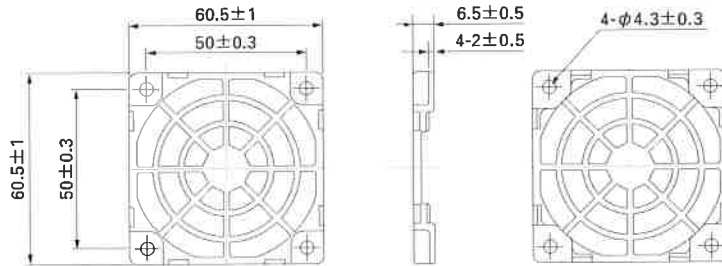
Model : 109-139E Surface treatment : Nickel-chrome plating (silver) Color  
 : 109-139H : Cation electropainting (black)

Inlet side, Outlet side



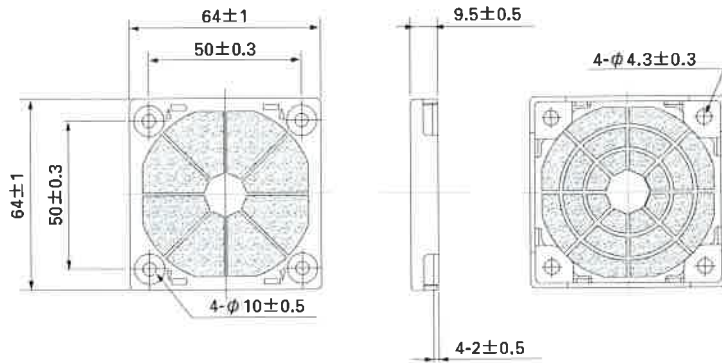
**Resin finger guards**

Model : 109-1003G



**Resin filter kits**

Model : 109-1003F13 (13PPI), 109-1003F20 (20PPI)  
 : 109-1003F30 (30PPI), 109-1003F40 (40PPI)



Deutschland	Telemeter Electronic GmbH	Tel. +49 906 706 93-0	Fax +49 906 706 93-50	info@telemeter.de	www.telemeter.info
Schweiz	Telemeter Electronic GmbH	Tel. +41 71 699 20 20	Fax +41 71 699 20 24	info@telemeter.ch	www.telemeter.info
Tschechische Republik	Telemeter Electronic s.r.o.	Tel. +420 3 85 31 06 37	Fax +420 3 85 51 01 24	info@telemeter.cz	www.telemeter.info