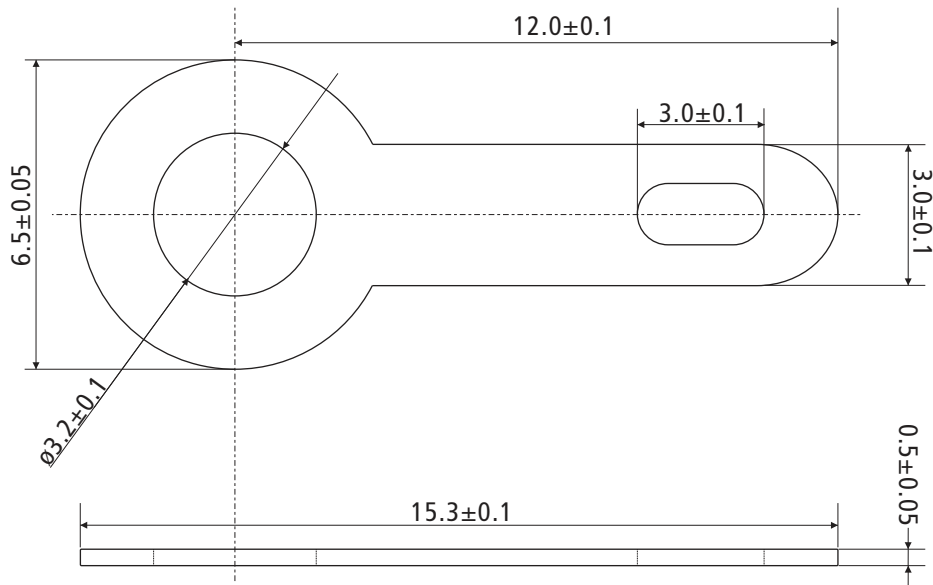


Datenblatt

Soldering Eyelets

3.2 mm (M3)

**Soldering Eyelets,
3.2 x 12mm (M3)
100pcs pack**



Material: Brass, Tin plated