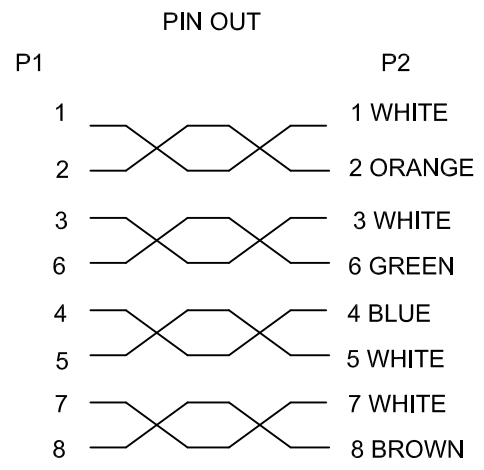
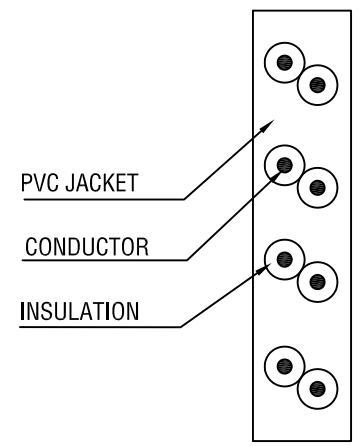
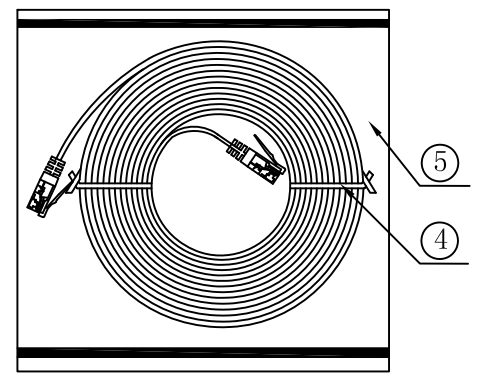


A - A  
10: 1



PACKING DRAW:



**NOTE:**  
Electrical test:  
100% open short & miss wire test;

MATERIAL LIST:

④	PRINTING	LogiLink U/UTP CAT5 SLIM PATCH ISO/IEC 11801 & EN 50173 VERIFIED	2						
③	CABLE	FLAT UTP CAT.5 CABLE, AWG30 CCA*4PAIR+PVC	L						
②	MOLD HOOD	PVC	2						
①	CONNECTOR	CAT.5 RJ45 SHORT PLUG, UNSHIELD, 3U' GOLD PLATED PIN, COLOR: BLUE TRANSPARENT	2						
No.	PART NAME	DESCRIPTION	QTY	REMARK	APPROVE BY	CHECK BY	DRAW BY	SCALE	MM
					PCS1311701		PCS1311701	PAGE	1/1

DRAW No.	2D-PCS1311701	NAME	U/UTP CAT5 30AWGx4P SLIM CABLE
	LogiLink	MAPE	TOLERANCE
	CAT5, U/UTP, SlimLine		X. ±1.00 X.X ±0.50