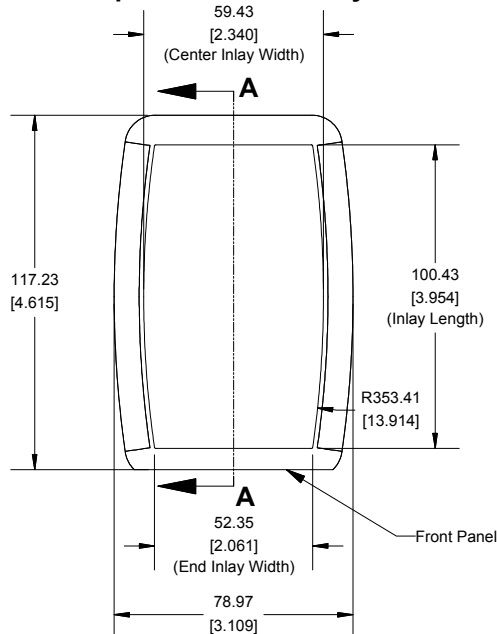
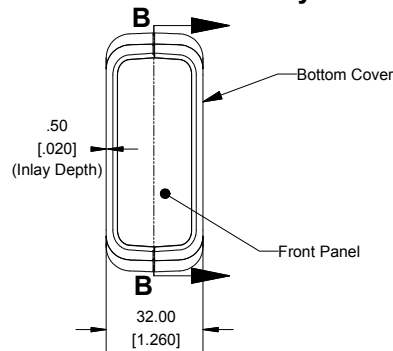


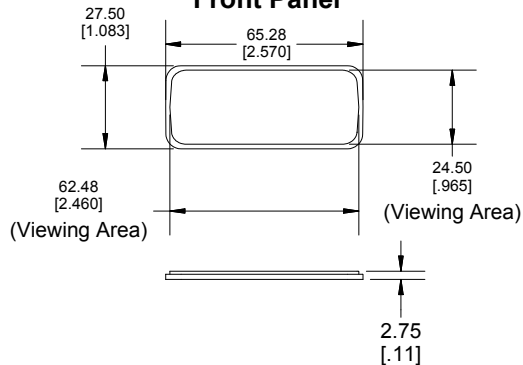
Top View of Assembly



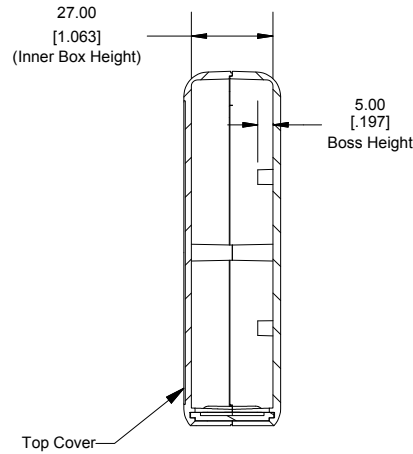
End View of Assembly



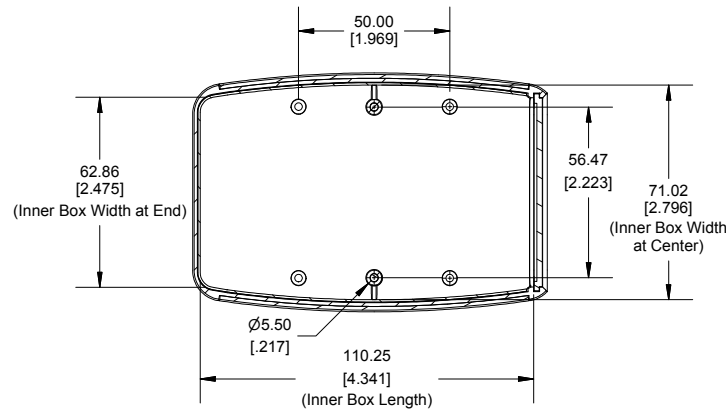
Front Panel



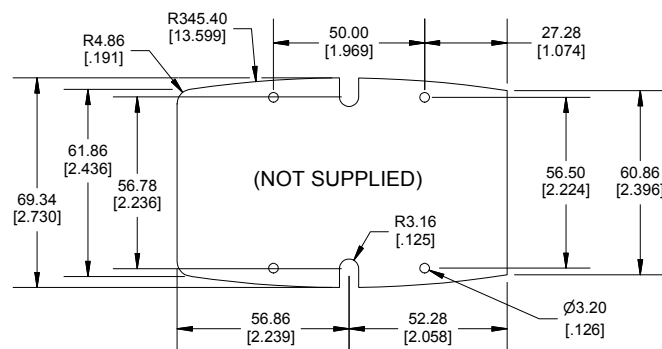
SECTION A-A (Side View Inside Assembly)



SECTION B-B (Inside of Bottom Cover)



Maximum P.C. Board Size



Enclosures can be Factory Modified (Milling, Drilling, Printing etc.)
Contact Factory mjm@hammondmg.com for quotes
Solid models of this enclosure available in STEP or IGES.
(Part number and text placement/orientation on our products are subject to change,
we do not recommend using them as a locating reference for modification purposes)

NOTE

Enclosure molded from GP ABS Plastic.

Purchased assembly includes Top, Bottom, front plastic panel and 2 cover screws. (P.C. Board not supplied)

Recommended Cover screw torque -- 2.5 lbf-in (30 cN-m)

PART NUMBER

1553C Regular Enclosure

Black Enclosure/Grey Over-mold	1553CBK
Grey Enclosure/Grey Over-mold	1553CGY

ACCESSORIES

Oval Head Cover Screws Self-Tapping (Pkg 100) [#4 X 1" (25.4mm)]	SC1553C100 (Silver) SC1553C100BK (Black)
P.C. Board Self Tapping Screw [#4 X 1/4" (6.4mm) Plated]	1593ATS50 (Pkg 50) 1593ATS100 (Pkg 100)
Belt or Pocket Clip	1599CLIP (Black) 1599CLIPGY (Grey)

**HAMMOND
MANUFACTURING®**

1553C

www.hammondmg.com

Dimensions:
mm
[inches]