

# Roederstein



A-05-11-03

## Electrolytic Capacitors Special Style for Vertical Mounting, Polarized, Etched Anodes, DIN 41253 and DIN 45910, Part 1210

EGD

**Electric values:**

DIN 41332  
DIN 41253 pertinent style standard  
DIN 45910 part 1210  
(without quality certificate)

**Peak voltage:**

$1.15 \cdot U_R \approx 250 \text{ VDC}$   
 $1.10 \cdot U_R \approx 350 \text{ VDC}$

**Temperature range:**

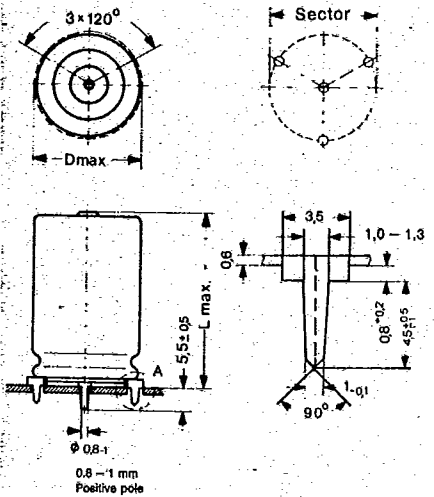
-40 ... 85°C (105°C)

**Vibration:**

Test and load in accordance with DIN 40046, sheet 8, FC test, oscillation (sine-shaped), loading according to appendix B, max. 5 g at 10 ... 55 Hz, amplitude max. 0.35 mm, time 90 min.

Nominal capacitor dimensions	D max. (mm)	L max. (mm)	Solder pin-section	Style
(12 x 30)	13.2	33	12.5	EBD
14 x 30	15.2	33	14.5	EGD
16 x 30	17.2	32	16.5	EGD
16 x 40	17.2	42	16.5	EGD
18 x 30	19.2	32	18.5	EGD
18 x 40	19.2	42	18.5	EGD
21 x 40	22.2	42	21.5	EGD
25 x 40	26.2	42	25.5	EGD
25 x 45	26.2	48	25.5	EGD
25 x 50	26.2	53	25.5	EGD
30 x 45	31.2	48	30.5	EGD
30 x 50	31.2	53	30.5	EGD

3 negative solder pins for  $\phi$  16-30 mm (EGD)  
2 negative solder pins for  $\phi$  12-14 mm (EBD/EGD)  
(not illustrated)



The holes are indicated in accordance with DIN 40810 ( $\phi$  1.3 + 0.1)

**Overview of dimensions: (max. dimensions)**

Cap- values	Rated voltage VDC												
	6.3	10	16	25	40	50	63	100	160	250	350	385	
22										15.2x33	17.2x32		
47										15.2x33	17.2x32	19.2x42	19.2x42
100	Lower values							15.2x33	19.2x42	22.2x42	26.2x42	26.2x42	
220	EBK / EK / EKM							17.2x32	26.2x42	26.2x48	31.2x48	31.2x53	
470						17.2x32	17.2x32	22.2x42					
1 000				15.2x33	17.2x32	19.2x42	22.2x42						
2 200		15.2x33	17.2x32	19.2x42	22.2x42	26.2x42	26.2x48			Higher values			
3 300		17.2x42	19.2x42	22.2x42	26.2x42	26.2x42	31.2x48			EYV			
4 700	17.2x42	19.2x42	22.2x42	26.2x42	26.2x42	31.2x48	31.2x53						
10 000		26.2x42	26.2x48	31.2x48									
15 000		26.2x48	31.2x48										

For electric values, see also type series EB / EG.

The case dimensions of the EG type have to be taken into consideration for new developments.

### Electrolytic Capacitors Special Style for Vertical Mounting, Polarized, Etched Anodes, DIN 41253 and DIN 45910, Part 1210

EGD

Technical specifications: (individual values)

Rated capacitance ( $\mu\text{F}$ )	Rated voltage (VDC)	Dimensions D x L (mm) (nominal dimensions)	$\tan \delta$ (100 Hz; 20°C) (limit values)	ESR ( $\Omega$ ) (100 Hz; 20°C) (limit values)	Z ( $\Omega$ ) (10 kHz; 20°C) (limit values)	Admissible ripple current (mA/100 Hz; 85°C <sup>-1</sup> )	Weight (g)	Order no.
4 700	6.3	16 x 40	0.33	0.11	0.05	1 300	13	EG 03 KG 447 B
2 200	10	14 x 30	0.22	0.16	0.08	1 000	8	EG 03 JE 422 C
3 300	10	16 x 40	0.25	0.12	0.05	1 200	13	EG 03 KG 433 C
4 700	10	18 x 40	0.27	0.09	< 0.05	1 400	16	EG 03 LG 447 C
10 000	10	25 x 40	0.38	0.06	< 0.05	2 100	28	EG 03 NG 510 C
15 000	10	25 x 45	0.48	0.05	< 0.05	2 300	30	EG 03 NH 515 C
2 200	16	16 x 30	0.18	0.13	0.06	1 100	10	EG 03 KE 422 D
3 300	16	18 x 40	0.21	0.10	0.05	1 350	16	EG 03 LG 433 D
4 700	16	21 x 40	0.24	0.08	< 0.05	1 650	20	EG 03 MG 447 D
10 000	16	25 x 45	0.34	0.05	< 0.05	2 400	30	EG 03 NH 510 D
15 000	16	30 x 45	0.44	< 0.05	< 0.05	3 000	42	EG 03 PH 515 D
1 000	25	14 x 30	0.14	0.22	0.09	850	8	EG 03 JE 410 E
2 200	25	18 x 40	0.16	0.12	0.05	1 200	16	EG 03 LG 422 E
3 300	25	21 x 40	0.19	0.09	< 0.05	1 500	20	EG 03 MG 433 E
4 700	25	25 x 40	0.21	0.07	< 0.05	1 900	28	EG 03 NG 447 E
10 000	25	30 x 45	0.32	0.05	< 0.05	2 500	42	EG 03 PH 510 E
1 000	40	16 x 30	0.12	0.19	0.08	900	10	EG 03 KE 410 G
2 200	40	21 x 40	0.14	0.10	< 0.05	1 400	20	EG 03 MG 422 G
3 300	40	25 x 40	0.16	0.08	< 0.05	1 800	28	EG 03 NG 433 G
4 700	40	25 x 40	0.20	0.07	< 0.05	2 000	28	EG 03 NG 447 G
470	50	14 x 30	0.10	0.34	0.14	670	10	EG 03 JE 347 H
1 000	50	18 x 40	0.10	0.16	0.07	1 100	16	EG 03 LG 410 H
2 200	50	25 x 40	0.12	0.09	< 0.05	1 700	28	EG 03 NG 422 H
3 300	50	25 x 45	0.15	0.07	< 0.05	2 000	30	EG 03 NH 433 H
4 700	50	30 x 45	0.18	0.06	< 0.05	2 300	42	EG 03 PH 347 H
470	63	16 x 30	0.08	0.27	0.12	850	10	EG 03 KE 347 J
1 000	63	21 x 40	0.08	0.13	0.06	1 300	20	EG 03 MG 410 J
2 200	63	25 x 45	0.10	0.07	0.05	2 000	28	EG 03 NH 422 J
3 300	63	30 x 45	0.13	0.06	< 0.05	2 300	42	EG 03 PH 433 J
4 700	63	30 x 50	0.15	0.05	< 0.05	2 600	45	EG 03 PJ 447 J
100	100	14 x 30	0.07	1.11	0.50	360	8	EG 03 JE 310 L
220	100	16 x 30	0.07	0.51	0.20	550	10	EG 03 KE 322 L
470	100	21 x 40	0.07	0.24	0.09	900	20	EG 03 MG 347 L
47	160	14 x 30	0.07	2.4	2.6	250	8	EG 03 JE 247 M
100	160	18 x 40	0.07	1.1	1.2	400	16	EG 03 LG 310 M
220	160	25 x 40	0.07	0.51	0.55	650	28	EG 03 NG 322 M

# Roederstein



## Electrolytic Capacitors Special Style for Vertical Mounting, Polarized, Etched Anodes, DIN 41253 and DIN 45910, Part 1210

EGD

Technical specifications: (individual values)

Rated capacitance ( $\mu\text{F}$ )	Rated voltage (VDC)	Dimensions D x L (mm) (nominal dimensions)	$\tan \delta$ (100 Hz; 20°C) (limit values)	ESR ( $\Omega$ ) (100 Hz; 20°C) (limit values)	Z ( $\Omega$ ) (10 kHz; 20°C) (limit values)	Admissible ripple current (mA/100 Hz; 85°C; 1)	Weight (g)	Order no.
22	250	14 x 30	0,07	5,1	5	200	8	EG 03 JE 222 N
47	250	16 x 30	0,07	2,4	2,3	400	10	EG 03 KE 247 N
100	250	21 x 40	0,07	1,1	1,1	800	20	EG 03 MG 310 N
220	250	25 x 45	0,07	0,5	0,5	1400	30	EG 03 NH 322 N
22	350	16 x 30	0,07	5,1	4,5	200	10	EG 03 KE 222 O
47	350	18 x 40	0,07	2,4	2,3	500	16	EG 03 LG 247 O
100	350	25 x 40	0,07	1,1	1,0	800	28	EG 03 NG 310 O
220	350	30 x 45	0,07	0,51	0,5	1300	42	EG 03 PH 322 O
47	385	18 x 40	0,10	3,4	2,2	500	16	EG 03 LG 247 R
100	385	25 x 40	0,10	1,6	1,0	800	28	EG 03 NG 310 R
150	385	25 x 45	0,10	1,1	0,7	1000	30	EG 03 NH 315 R
220	385	30 x 50	0,10	0,72	0,5	1400	45	EG 03 PJ 322 R

1) See "General Information" for the admissible ripple current loading in dependence on the ambient temperature and frequency.

For electric values, also see type series EG.

### Ordering example:

EGD 2200/25, dim. 18 x 40 **EG 03 LG 422 E**

If insulation is required,

indicate this on the order form:

Sleeve insulation: EG 03 LG 422 E **01**

Full insulation: EG 03 LG 422 E **02**