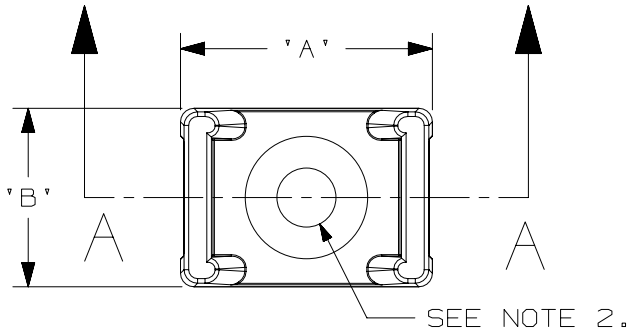



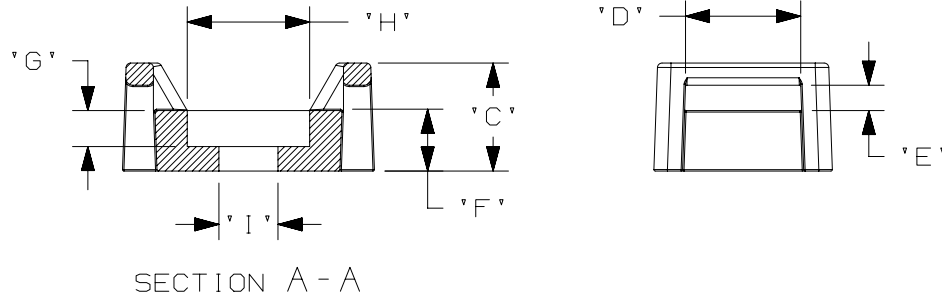
THIS COPY IS PROVIDED ON A RESTRICTED BASIS AND IS NOT TO BE USED IN ANY WAY DETRIMENTAL TO THE INTERESTS OF PANDUIT CORP.

PANDUIT PART NO.*	RECOMMENDED FASTENER	'A'	'B'	'C'	'D'	'E'	'F'	'G' 'REF'	'H' 'REF'	'I' 'REF'	USE WITH THESE CABLE TIE CROSS SECTIONS	WEIGHT (g) lbs/100 pcs.
TM3S8	#8 (M4) SCREW	0.863 [21.9]	0.610 [15.5]	0.373 [9.4]	0.320 [8.1] ±.020	0.088 [2.2] ±.020	0.208 [5.3]	0.105 [2.7]	0.325	0.180	MINIATURE INTERMEDIATE STANDARD LT. HEAVY	0.369 (167.5)
TM3S10	#10 (M5) SCREW									0.115 [2.9]		0.415
TM3S25	1/4" (M6) SCREW	0.879 [22.3]	0.629 [16.0]	0.379 [9.6]			0.210 [5.3]	0.155 [3.9]	0.506	0.262		0.296 (134.5)
TM3S2510	#10 (M5) SCREW	0.873 [22.2]	0.620 [15.7]				0.212 [5.4]	0.120 [3.0]	0.480	0.200		0.321 (145.5)

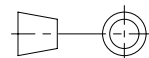


NOTES:

- *1. SEE www.panduit.com FOR CURRENT PART NUMBER SUFFIX DESIGNATION AND FOR PACKAGE SIZE AND PART COLOR. SEE www.panduit.com FOR TEFZEL, METAL DETECTABLE AND PEEK MOUNT DRAWINGS.
- HOLE DIMENSIONS SHOULD ACCOMMODATE SPECIFIED RECOMMENDED FASTENER.
-  BAG MAY CONTAIN EXTRA PIECES TO COMPENSATE FOR VARIANCE IN THE PACKAGING PROCESS. PANDUIT ASSURES MINIMUM PIECE COUNT AS STATED ON THE BAG.



DIMENSIONS IN BRACKETS ARE METRIC [mm]

TITLE		TM3S - TIE MOUNT	
CUSTOMER DRAWING			
ITEM REVISION NAME	10B015KD/04	PANDUIT	
DATASET FILE NAME	10B015KD_DC/00 - GB0239EN_REV13		
UNLESS OTHERWISE SPECIFIED, DIMENSIONAL TOLERANCES ARE: IN [mm]		MATERIAL:	
.x ± 0.05 (1.3) .xxx ± 0.010 (0.25)		SEE NOTE 1	
.xx ± 0.02 (0.5) ANGLES ± 5 °		DRAWING NUMBER:	
		GB0239EN	
DRAWN BY	DATE	CHK	SCALE
AJV	12/17/96	JADE	NONE
SHT 1 OF 1		A	

REV	DATE	BY	CHK	APR	DESCRIPTION	ECN
16	2/1/2021	RVU	JADE	KJM	ADDED NOTE 3.	GAECN05875
15	3/11/2019	BMAG	JHAC	KJM	'I' DIMENSION CHANGED TO .210	GAECN04828
14	9/14/17	RVU	CLW	JHAC	'H' DIAMETER NEED TO CHANGE FROM .385 TO .415.	GAECN04367
13	10/03/13	BWG	KJM	RTFI	REVISED TOLERANCES TO BE IN LINE WITH OTHER MOUNT DRAWINGS.	GB0239EN/13
12	6/27/13	BWG	JADE	RTFI	REVISED CHART AND NOTE 1. SEE ECN FOR FULL DETAILS.	GB0239EN/12

D10100DA/16