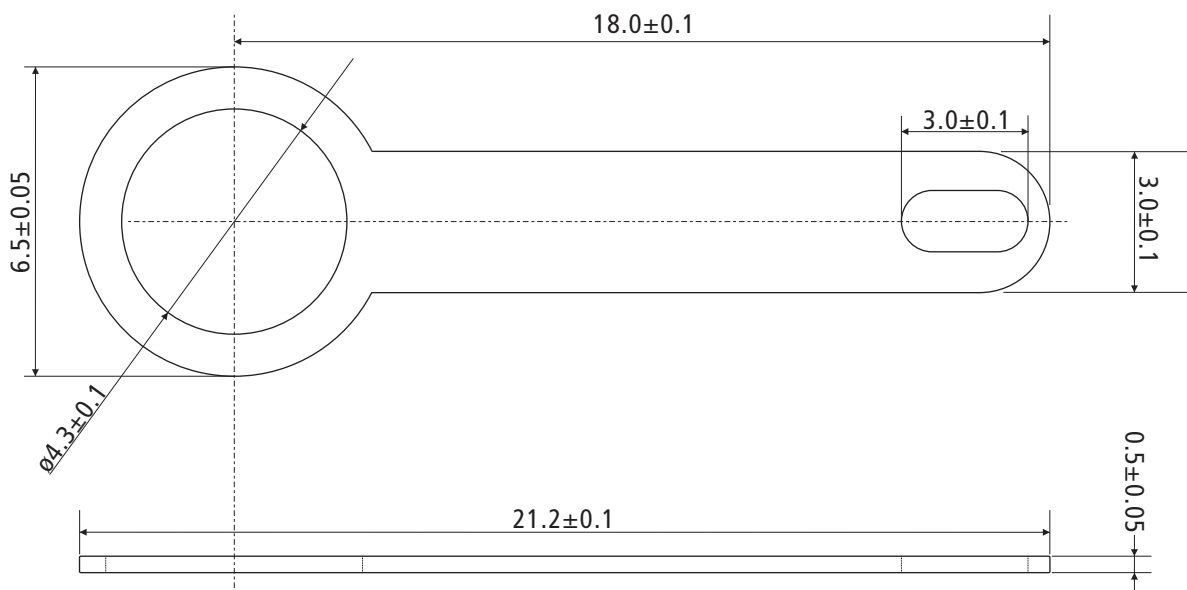


# Datenblatt

## Soldering Eyelets

### 4.3 mm (M4)

**Soldering Eyelets,**  
**4.3 x 18mm (M4)**  
**100pcs pack**



Material: Brass, Tin plated