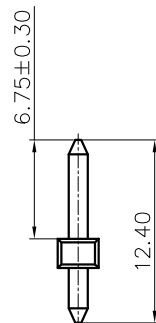
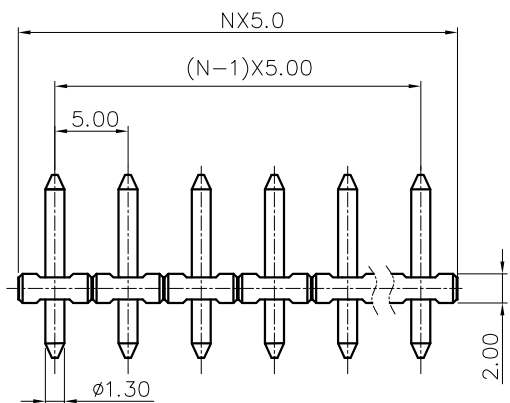


REVISION RECORD

| REV | ECN | DESCRIPTION | DRFT | DATE |
|-----|-----|-------------|------|------|
|-----|-----|-------------|------|------|



NOTES1:

UL Standard  
1.Rated voltage/current : 300V / 10A

IEC Standard

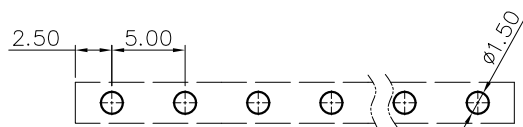
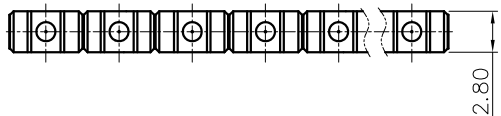
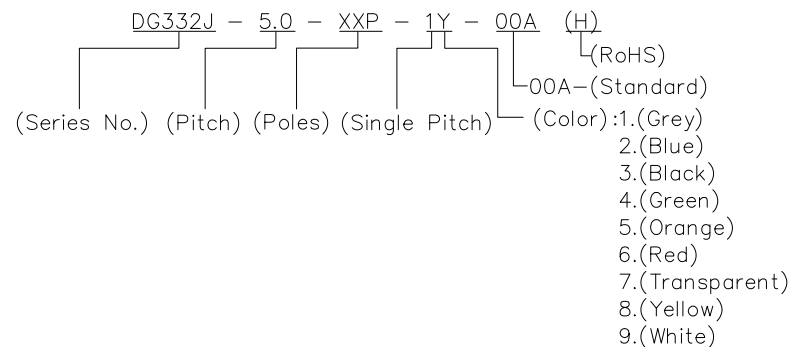
1.Rated voltage/current : 250V / 12A

NOTES2:

- 1.Dimension shall be interpreted per ASME Y14.5-2009
- 2.Pitch : 5.0mm, Poles : N=2~24P
- 3.Withstanding voltage : AC2000V/1Min
- 4.Operating temperature:-40°C~+105°C
- 5.Undimensioned tolerances:

| Pitch range in mm |         | Nominal dimension range in mm |         |         |         |        | —     | ∩   | ∇ |
|-------------------|---------|-------------------------------|---------|---------|---------|--------|-------|-----|---|
| TO                | Over TO | Over TO                       | Over TO | Over TO | Over TO | 0.1/10 |       |     |   |
| 6                 | 10      | 24                            | 30      | 60      | 100     | 150    |       |     |   |
| ±0.15             | ±0.20   | ±0.30                         | ±0.30   | ±0.50   | ±0.70   | ±1.00  | ±1.30 | ±2' |   |

6.RoHS Compliance



TOP VIEW-LAYOUT

|                |           |   |       |       |     |
|----------------|-----------|---|-------|-------|-----|
| DETACHED LISTS | PART NO.: | 宁波高松电子有限公司<br>NINGBO DEGSON ELECTRICAL CO., LTD |       |       |     |
|                | APPD:     | NAME: DG332J-5.0-XXP-1Y-00A(H)                  |       |       |     |
|                | CHKD:     | TITLE: CUSTOMER DRAWING                         |       |       |     |
|                | DRFT:     | DRAWING NO.:                                    |       | REV   | DO  |
|                |           | DO NOT SCALE DRAWING                            |       | SHEET | 1/1 |
|                |           | MM (INCH)                                       | SCALE | 1:1   |     |