

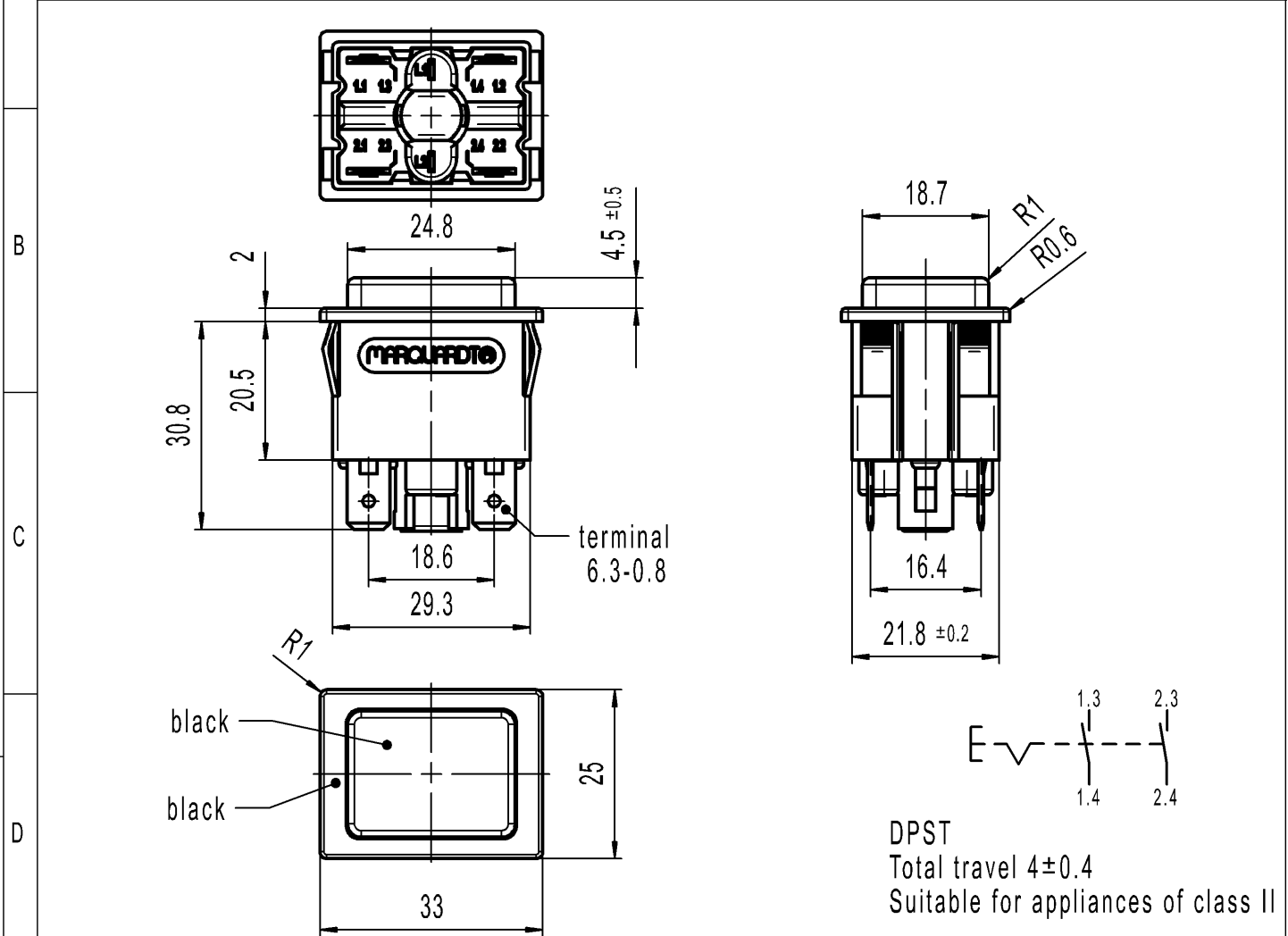
CONFIDENTIAL

VERTRAULICH

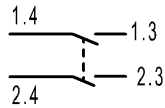
THIS DRAWING IS THE EXCLUSIVE PROPERTY OF MARQUARDT. WITHOUT THEIR CONSENT IT MAY NOT BE REPRODUCED OR GIVEN TO THIRD PARTIES.

Alle Rechte bei Marquardt, auch fuer den Fall von Schutzrechtsanmeldungen. Jede Veruegungsbefugnis, wie Kopier- und Weitergaberecht, bei uns.

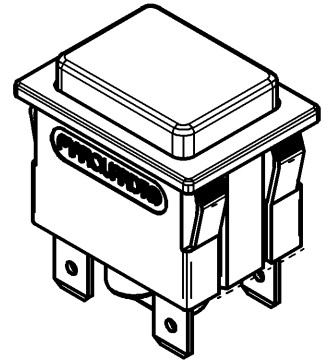
A	recommended cut-out for snap-in fixing (edge opposite to snap-in direction)	1	2	3	4
		wall thickness	length of cut-out	width of cut-out	
		0.75 to 1	30 +0.1	22.2 +0.2	
		>1 to 1.5	30.2 +0.1	22.2 +0.2	
		>1.5 to 3	30.4 +0.1	22.2 +0.2	



Marking
MARQUARDT
 1661.
 16(4)/250~ T85/55



DPST
 Total travel 4±0.4
 Suitable for appliances of class II



Code of manufacture: place/year/week

-	-	-	1661.0201-XX
Figure	Type	Customer Part No.	Art.No.-PI
Shape and location	Angle ± 2 °	Sheet 01	Ident. K
	Edge tolerance	Format DIN A4	Document number 16610201
	Length	Projection	Index g
	Radii	Scale 1:1	Appliance Switch
		All dimensions are in millimetres	
g	137245	2021-04-30	JOSHIO
f	32547	2002-05-23	SIG
e	28075	1999-10-12	MUT
d	26325	1998-09-29	BB
Index	MEC-No.	Date (YYYY-MM-DD)	Edited by
			System NX V1872
			Replacement of
			Zg.gl.Nr.v.29.09.1998

