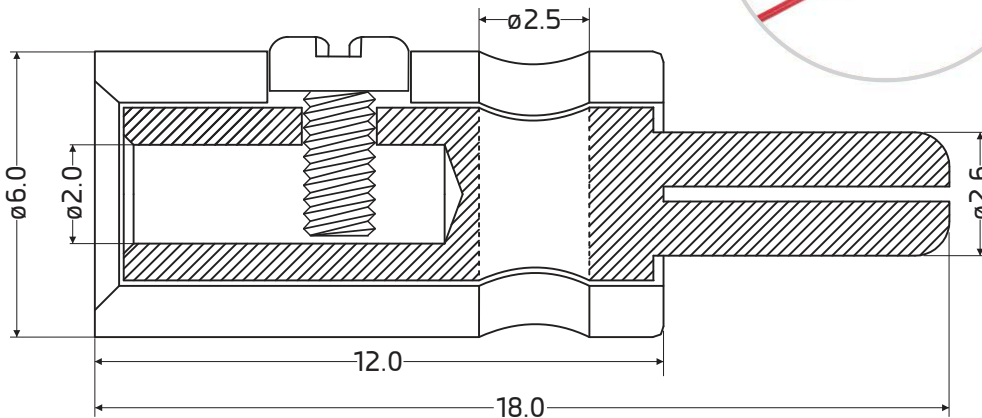
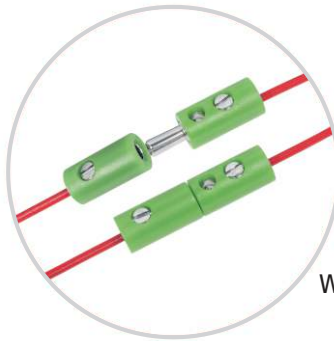


Best. Nr. 450 879

**Miniature Connector, 2.6mm  
Male Plug, Green color  
10pcs pack**



Wire cross section: 0.5-1.5 mm<sup>2</sup>

### Specification

Insulator material: ABS  
 Contact material: Copper  
 Plating: Nickel  
 Voltage rating: 30 V/DC  
 Current rating: 2A  
 Contact resistance: 5mΩ max.  
 Insulation resistance: 100MΩ min.  
 Withstanding voltage: 500V/AC / minute  
 Operating temperature: -10°C to 85°C

B/N. 451437  
White

B/N. 451439  
Black

B/N. 451438  
Blue

B/N. 450872  
Red

B/N. 451436  
Yellow

B/N. 451440  
Orange

B/N. 450881  
Grey

B/N. 450878  
Brown

