

Datenblatt

DC Power Jack

Vertical Panel Mount

Best. Nr. 450 599

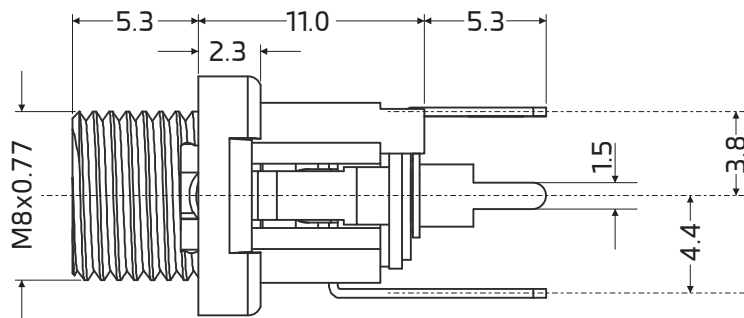
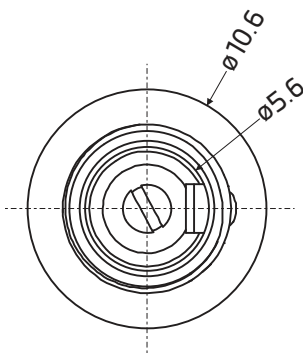
DC Power Jack for Plug 5.5/2.5mm, Vertical Panel Mount, P.C.B Terminals



Specification

Material
Housing: PBT
Contact Pin: Brass, Nickel plated
Terminals: Phosphor Bronze, Tin Plated
Current Rating: 3A
Voltage Rating: 24 Vdc
Connector Resistance: 30 mΩ max.
Insulation Resistance: 100 MΩ min.
Operation Temperature: -20°C ~ 70°C

Connection Type: P.C.B Terminals
Installation Panel Thickness:
Recommended 1.0 ~ 2.0 mm



Dimension: mm±0.2

