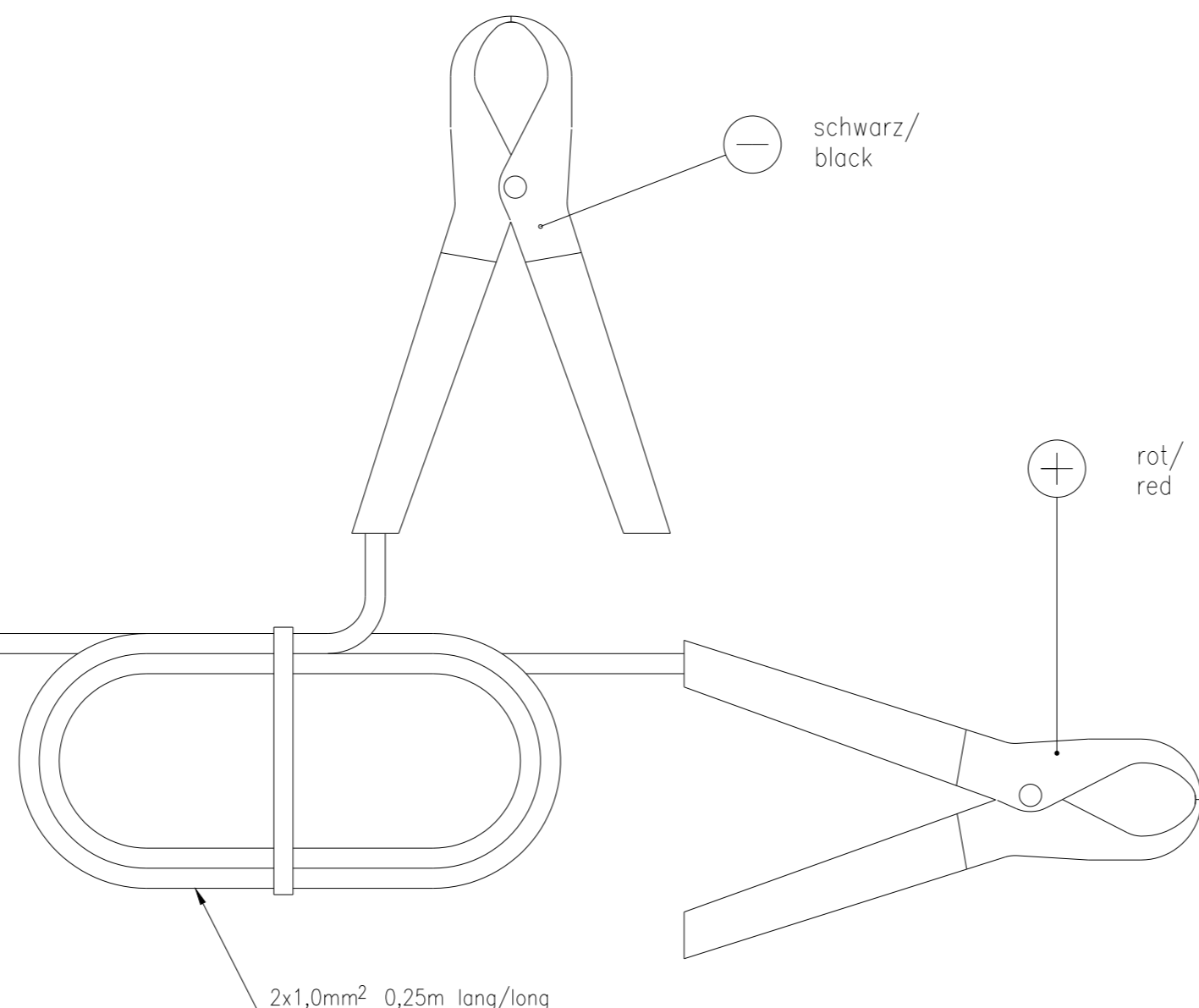
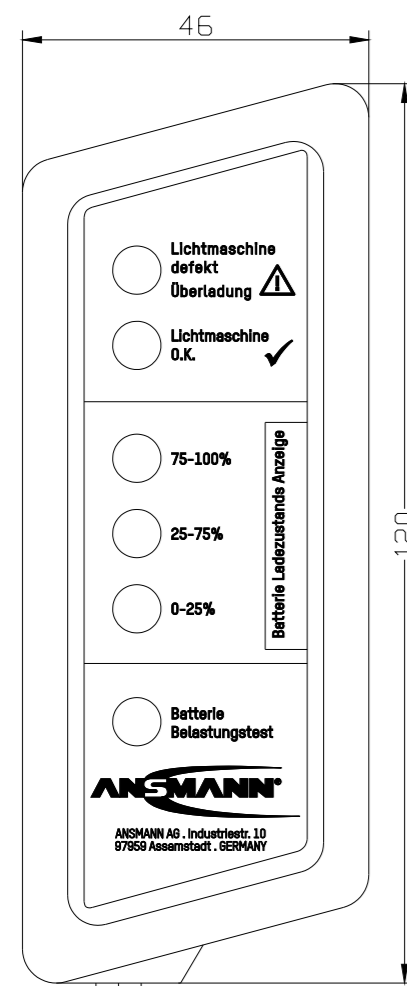


The supplier acknowledges that, with the acceptance of the drawings, he is obliged to manufacture the illustrated part in accordance with the drawings in reproducible form and series production. Through the selected manufacturing processes and materials, which could subsequently lead to an impairment of the components. Verbal agreements over and above that are not valid. Deviations from this rule must be signed by the purchaser.



- Prüfung des Ladestromkreises der Lichtmaschine/ check of dynamo charging circuit
- Test des Ladezustandes der Batterie/ test of battery capacity
- Belastungstest der Batterie/ test of battery load
- Überwachung des Ladevorgangs mit unregulierten Ladegeräten/ supervision of the charging process with unregulated chargers
- Geeignet für alle 12 V Kfz-Batterien/ suitable for all 12 V car batteries
- kurzschlussfest/ short-circuit proof
- Verpolschutz/ reverse-connect protection

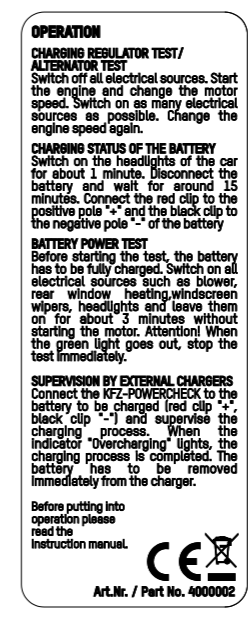
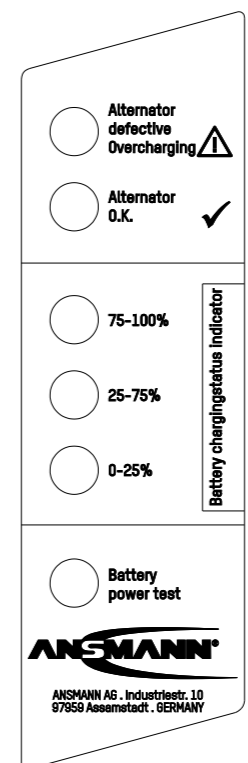
Verpackung/ : Blisterverpackung 84x272x25mm  
package blister package 84x272x25mm

Gewicht/ : 170g inkl. Zubehör und Verpackung  
weight 170g incl. accessories and package

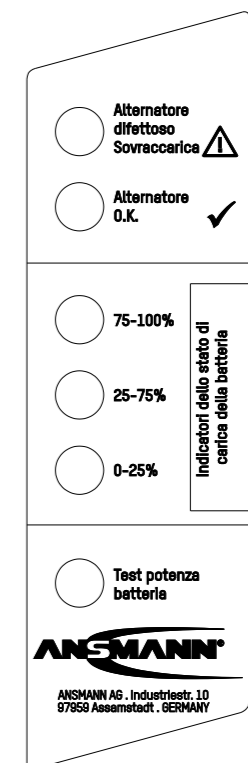
Approbation/ : CE  
approvals

Lieferumfang/ : –mehrsprachige Bedienungsanleitung/  
delivery multilingual operating instruction  
–zusätzliche Aufkleber für Vorder- und Rückseite in englisch, französisch und italienisch  
additional labels for front- and backside in english, french and italian

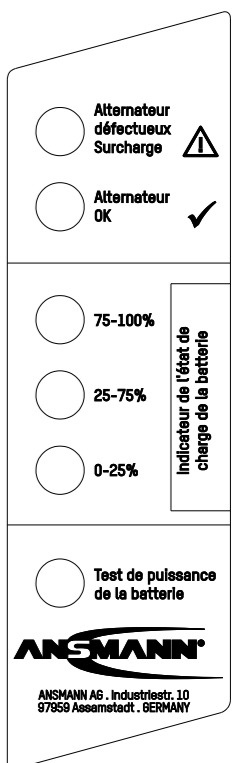
English



Italian



France



Application range for inquiry AN0314		Allowable deviation general tolerances		Surface	Model:	Material:	Weight:
V8	weight updated	21.09.15	SJT	DIN ISO 2768-m	Scale (DIN A2): 1:1	All dimensions in mm	
V8	label updated	02.06.15	SJT	2001	Date		
V7	"Made in China" added	06.04.10	MF	Drawn by	20.02	SP	Drawing name KFZ Power Check mit Klemmen KFZ Power Check with Clips
V6	backside printing modified	25.05.07	OB	Approved by			
V5	backside printing modified	09.11.04	SP				
V4	printing corrected	19.07.04	SP				
V3	weight added	13.11.03	OB				
V2	package added	29.01.03	SP				
V1	writing-head modified	23.10.01	SP				Drawing number Part number 4000002
Version	Change	Date	Name	Project: xx-xxxx-xxxxx	Replaced by:	Replacemnt through:	

