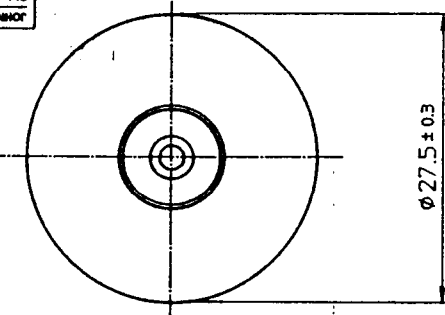
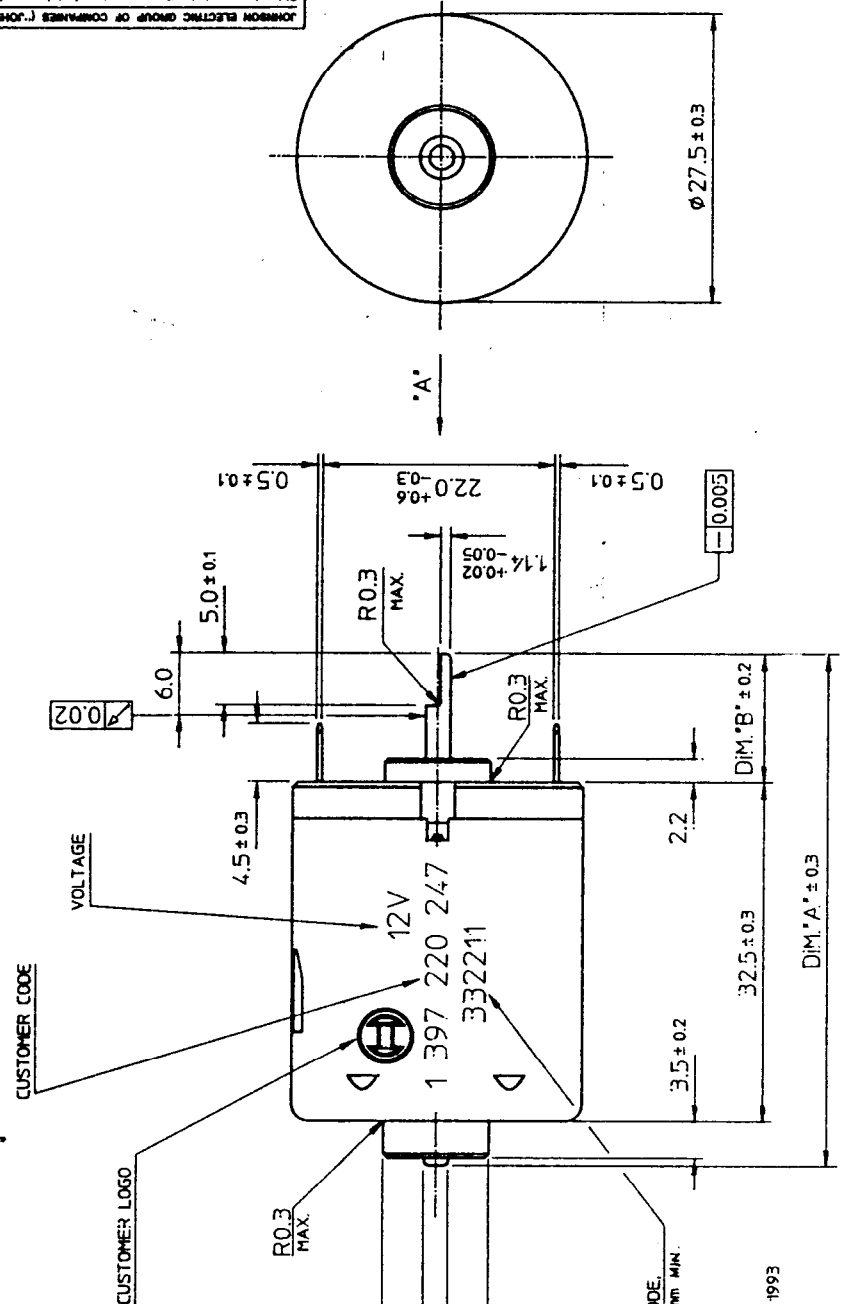
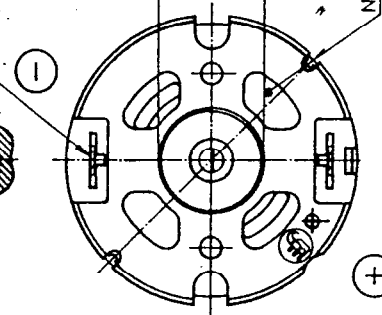
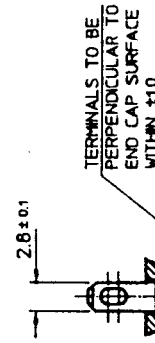


ROTATION



JOHNSON ELECTRIC GROUP OF COMPANIES ("JOHNSON ELECTRIC")
 This document is the property of Johnson Electric and the
 information herein is confidential. Unauthorized
 reproduction or other use thereof, whether directly or
 indirectly, in whole or in part, is strictly prohibited. All
 rights reserved.
 Copyright Johnson Electric S.A. 1993

| | | | |
|--------------------|---|----------|---------------|
| B | CARBON BRUSH CHANGED | BY | DATE |
| A2 | THE INDENT MARK & THE POSITIVE TERM. TO BE CORRECTED TO THE OPPOSITE SIDE OF THE MAGNET WING. | BY | DATE |
| ALT. REF. | DESCRIPTION | BY | DATE |
| MATERIAL | FINISH | BY | DATE |
| TOLERANCES: | | A3 | |
| 1 DEC. PLACE ± 0.5 | | | |
| 2 DEC. PLACES ± | | | |
| ANGULAR ± 2° | | | |
| TITLE | | SCALE | 2:1 |
| HC 310 | | DWN. BY | HONG |
| MOTOR OUTLINE | | CHK. BY | |
| | | APP. BY | |
| | | DWG. NO. | 33340-99900 B |

- NOTES:-
1. LENGTH OF SHAFT, DIM. 'A' 49.0 mm.
 2. REAR EXTENSION, DIM. 'B' 12.25 mm., MEASURED WITH A LOAD OF 1 N (102 GMS) APPLIED IN DIRECTION 'A'.
 3. DIRECTION OF ROTATION : CLOCKWISE WHEN VIEWING MOTOR OUTPUT END WITH POSITIVE VOLTAGE APPLIED TO POSITIVE TERMINAL.
 4. END PLAY : 0.50 mm. MAX.